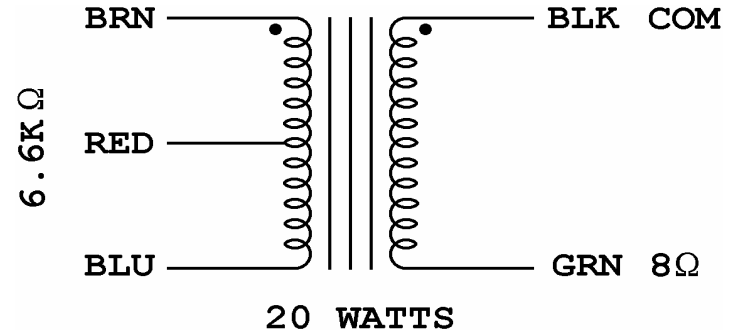
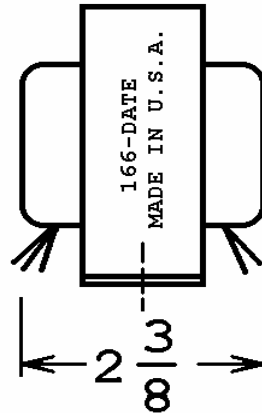
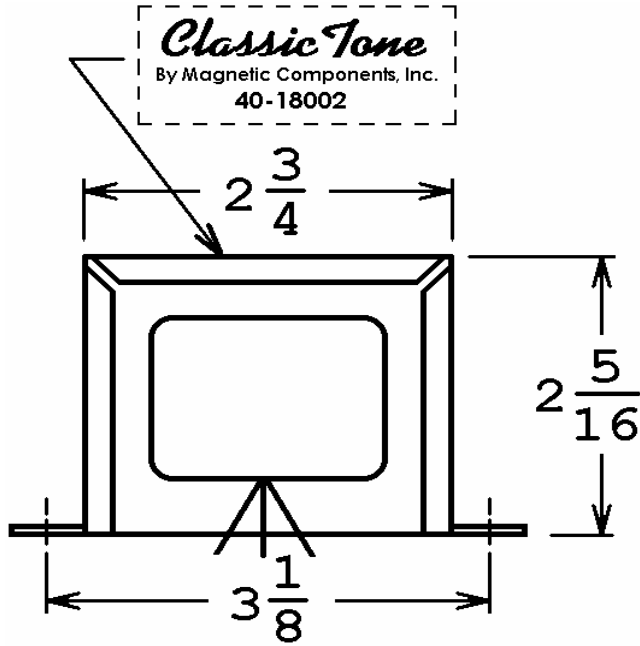


This drawing is the property of Magnetic Components, Inc. and shall not be reproduced, in whole or in part, without the written permission of Magnetic Components, Inc.

REVISIONS			
LTR	DESCRIPTION	DATE	APPROVED
A	REV. MECH VIEW FOR END BELLS. ADD LUG.	01/20/09	M.S.
B	ADD PRI IMPEDANCE	02/04/09	M.S.
C	ADD TRU-TONE MARKING	02/24/09	M.S.
D	DEL TRU-TONE MARKING	05/01/09	M.S.
E	REMOVE .187 FASTON TERMINAL	05/14/09	M.S.
F	ADD ClassicTone & PROPRIETARY NOTICE	01/06/10	M.S.



DRAWING No. :
OOA-85148
DIV :
LOC : SCHILLER PK

UNLESS OTHERWISE SPECIFIED		SIGNATURES		DATE	MAGNETIC COMPONENTS, INC.			TITLE	
ALL DIMENSIONS IN INCHES DO NOT SCALE DRAWING		DRAWN : <i>M.S.</i>		15 JAN 09	DELUXE OUTPUT				
FRACTIONS +/-		CHECK :							
.X = +/-		APPR : <i>M. Sacketa</i>		15 JAN 09	CAGE	50508	SIZE	PART No.	REV
.XX = +/-					SCALE	NONE	A	40-18002	F
.XXX = +/-								SHEET :	
ANGLES = +/-									