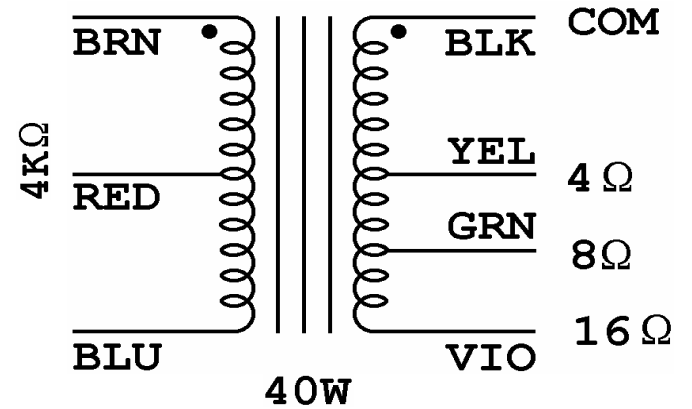
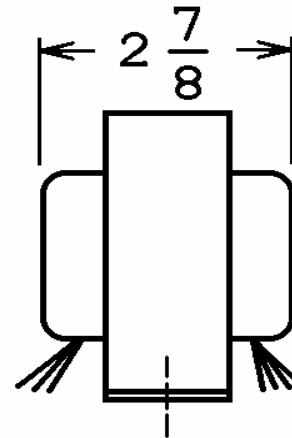
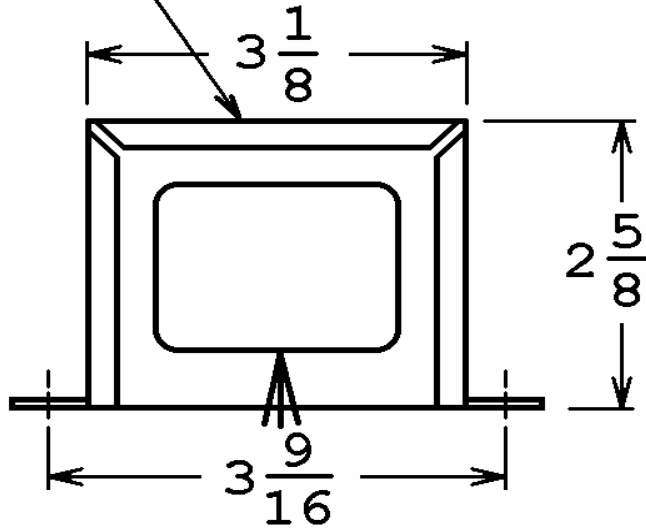


40-18006

This drawing is the property of Magnetic Components, Inc. and shall not be reproduced, in whole or in part, without the written permission of Magnetic Components, Inc.

REVISIONS			
LTR	DESCRIPTION	DATE	APPROVED
A	ADD PRIMARY IMPEDANCE	9/2/2009	M. Sacketti
B	ADD ClassicTone, 40W	1/6/2010	M. Sacketti
C	2-7/8 WAS 2-11/16 IN ERROR	9/25/2013	M. Sacketti

**ClassicTone™**  
By Magnetic Components, Inc.  
40-18006  
166-DATE  
MADE IN U.S.A.



UNLESS OTHERWISE SPECIFIED ALL DIMENSIONS IN INCHES DO NOT SCALE DRAWING FRACTIONS +/- .X = +/- .XX = +/- .XXX = +/- ANGLES = +/-	SIGNATURES		DATE	MAGNETIC COMPONENTS, INC.	DIV : LOC : SCHILLER PK		
	DRAWN : <i>[Signature]</i>		07 AUG 09	TITLE			
	CHECK :			OUTPUT TRANSFORMER			
	APPR : <i>[Signature]</i>		07 AUG 09	CAGE 50508	SIZE A	PART No. 40-18006	REV C
				SCALE NONE			SHEET :