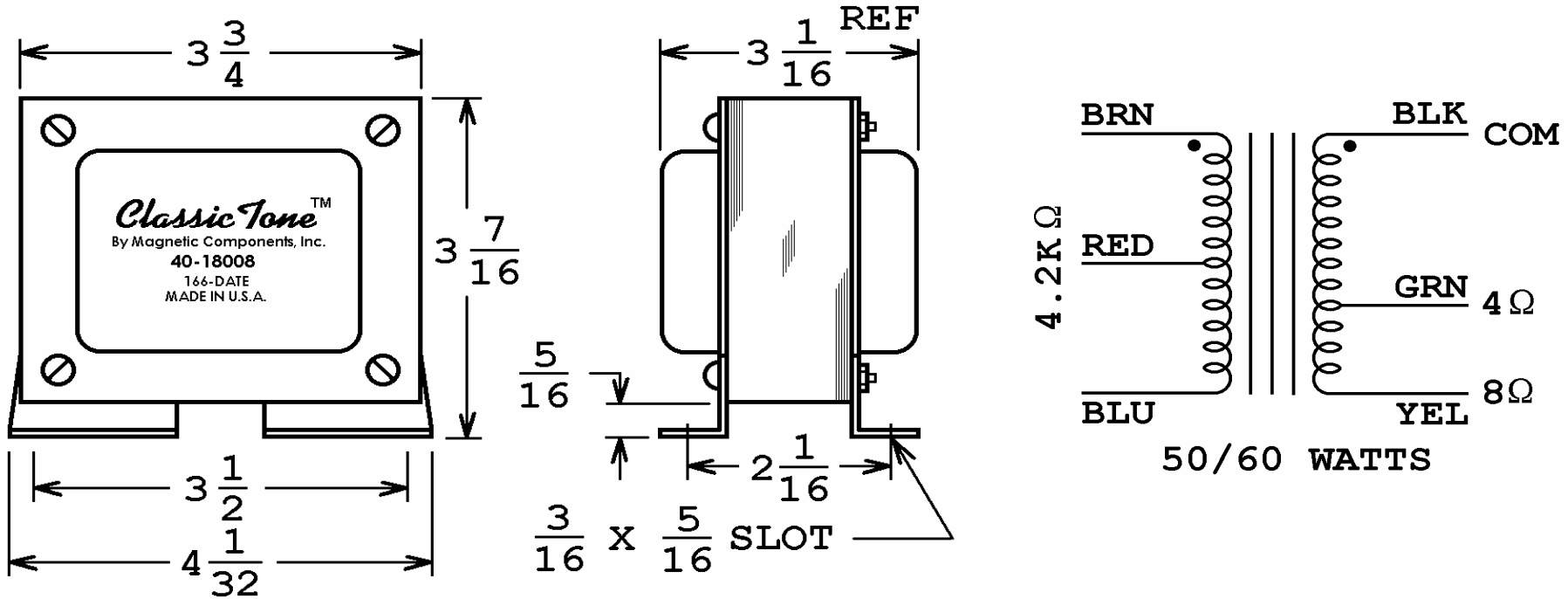


40-18008

This drawing is the property of Magnetic Components, Inc. and shall not be reproduced, in whole or in part, without the written permission of Magnetic Components, Inc.

REVISIONS			
LTR	DESCRIPTION	DATE	APPROVED
A	ADD PRIMARY IMPEDANCE	09/02/09	M. Sacketti
B	ADD ClassicTone, 60W	01/06/10	M. Sacketti
C	REVISE SCHEMATIC	09/19/11	M. Sacketti



UNLESS OTHERWISE SPECIFIED ALL DIMENSIONS IN INCHES DO NOT SCALE DRAWING FRACTIONS +/- .X = +/- .XX = +/- .XXX = +/- ANGLES = +/-	SIGNATURES		DATE	MAGNETIC COMPONENTS, INC.		DIV : LOC : SCHILLER PK	
	DRAWN : <i>M. Sacketti</i>		11 AUG 2009	TITLE 50/60W OUTPUT, 4/8 OHMS			
	CHECK :						
	APPR : <i>M. Sacketti</i>		11 AUG 2009	CAGE	SIZE	PART No.	REV
				50508	A	40-18008	C
			SCALE	NONE		SHEET :	