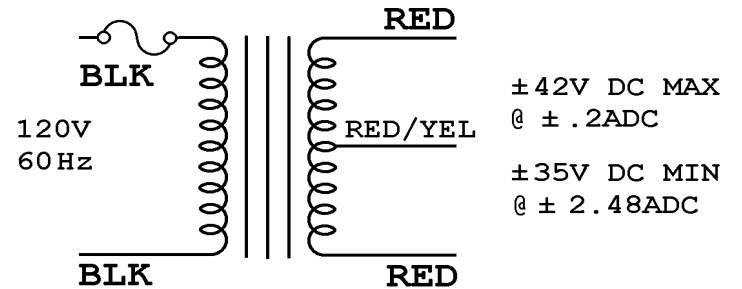
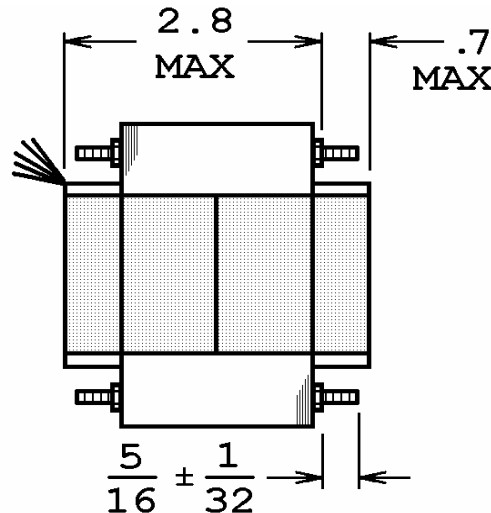
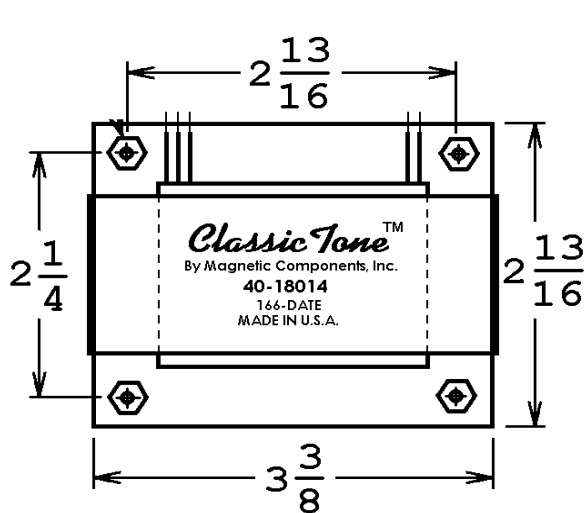


40-18014

This drawing is the property of Magnetic Components, Inc. and shall not be reproduced, in whole or in part, without the written permission of Magnetic Components, Inc.

REVISIONS			
LTR	DESCRIPTION	DATE	APPROVED
A	ADD ClassicTone, FENDER P/N	01/07/10	M. Sacketti
B	ADD MOUNTING HARDWARE NOTE	10/27/11	M. Sacketti



USE FOUR # 8-32 HEX NUTS (NOT SUPPLIED) FOR CHASSIS MOUNTING.

- FENDER P/N : 031668
- CHORUS,
- POWER CHORUS,
- ULTRA CHORUS,
- ULTIMATE CHORUS,
- ULTIMATE CHORUS DSP

UNLESS OTHERWISE SPECIFIED		SIGNATURES		DATE	MAGNETIC COMPONENTS, INC.		DIV :	
ALL DIMENSIONS IN INCHES DO NOT SCALE DRAWING		DRAWN : <i>M. Sacketti</i>		06 AUG 09	TITLE		LOC : SCHILLER PK	
FRACTIONS +/-		CHECK :			POWER TRANSFORMER			
.X = +/-		APPR : <i>M. Sacketti</i>		06 AUG 09	CAGE	50508	SIZE	PART No.
.XX = +/-							A	40-18014
.XXX = +/-					SCALE	NONE		REV
ANGLES = +/-								B
							SHEET :	