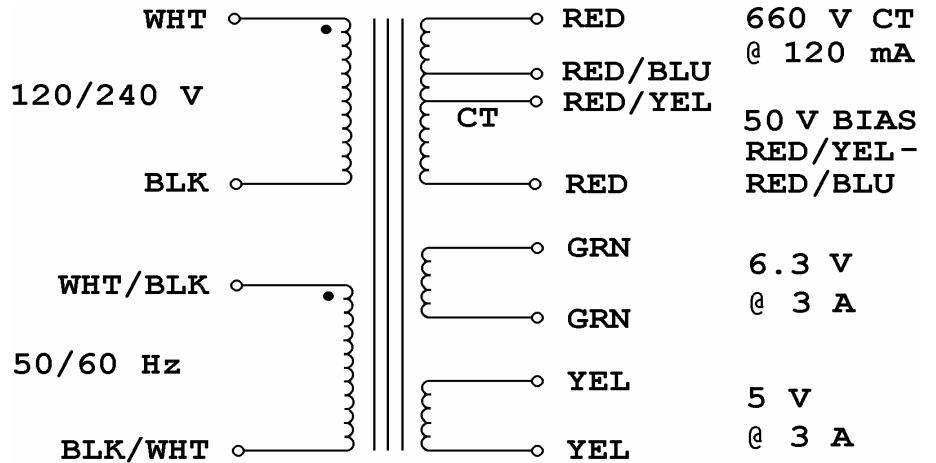
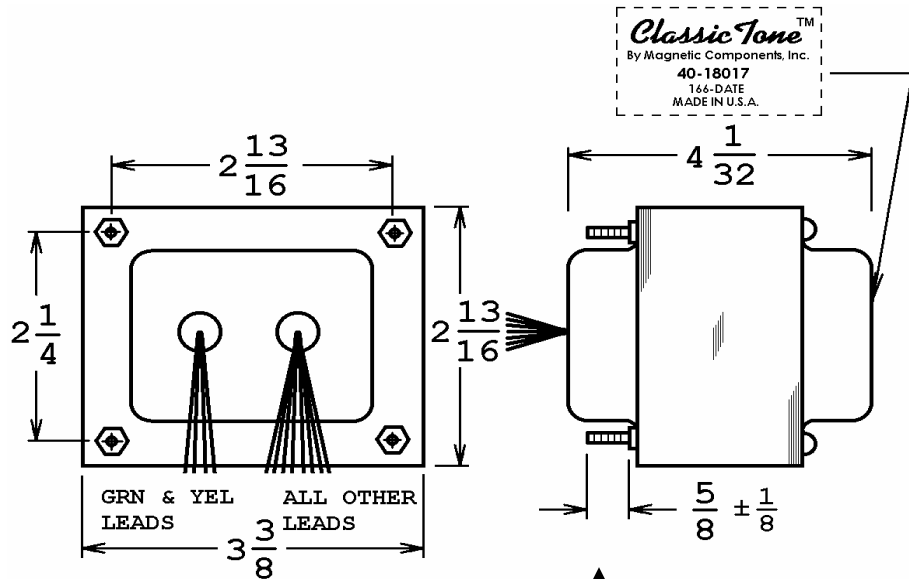


# 40-18017

This drawing is the property of Magnetic Components, Inc. and shall not be reproduced, in whole or in part, without the written permission of Magnetic Components, Inc.

REVISIONS			
LTR	DESCRIPTION	DATE	APPROVED
A	ADD MARKING INFO	02/23/09	M. Sacketti
B	DEL TRU-TONE MARKING	05/01/09	M. Sacketti
C	ADD ClassicTone & PROPRIETARY NOTE	01/08/10	M. Sacketti
D	ADD RED-RED/YEL-RED = 330-0-330V, RED/BLU-RED/YEL = 50V BIAS	04/05/11	M. Sacketti
E	ADD MOUNTING HARDWARE NOTE	10/27/11	M. Sacketti



120 V INPUT TO WHT & BLK (CONN. WHT TO WHT/BLK & BLK TO BLK/WHT)  
 240 V INPUT TO WHT & BLK/WHT (CONN. BLK TO WHT/BLK)

**RED-RED/YEL-RED = 330V-0-330V AC**  
**RED/BLU-RED/YEL = 50V BIAS**

**USE FOUR # 8-32 HEX NUTS (NOT SUPPLIED) FOR CHASSIS MOUNTING. PLEASE DO NOT REMOVE EXISTING HEX NUTS.**

UNLESS OTHERWISE SPECIFIED		DRAWN : <i>M. Sacketti</i>		DATE : 04 FEB 09		MAGNETIC COMPONENTS, INC.		DIV : LOC : SCHILLER PK	
ALL DIMENSIONS IN INCHES DO NOT SCALE DRAWING		CHECK :		APPR : <i>M. Sacketti</i>		DATE : 04 FEB 09		TITLE : <b>POWER TRANSFORMER</b>	
FRACTIONS +/-		.X = +/-		.XX = +/-		.XXX = +/-		ANGLES = +/-	
		CAGE : 50508		SCALE : NONE		SIZE : <b>A</b>		PART No. : <b>40-18017</b>	
								REV : <b>E</b>	
								SHEET :	