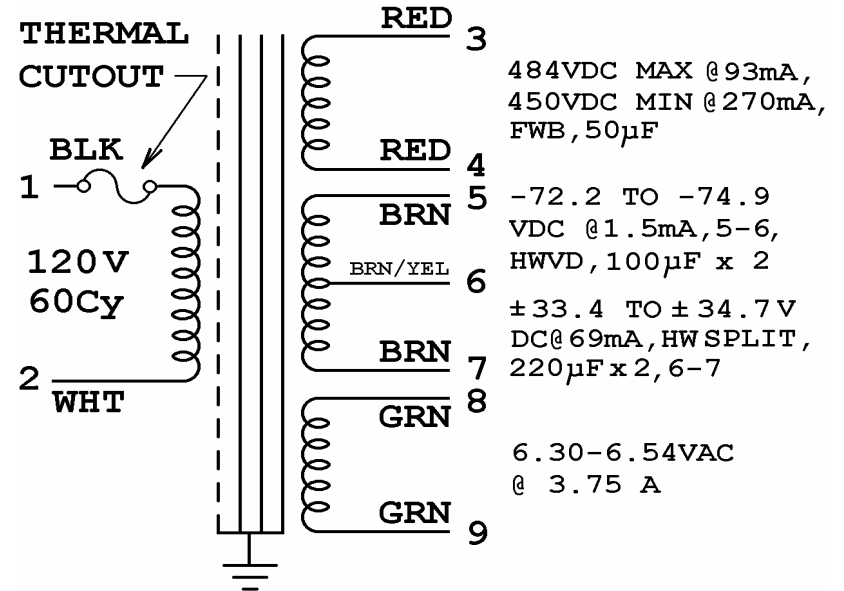
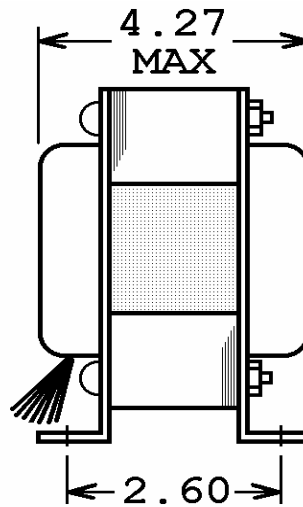
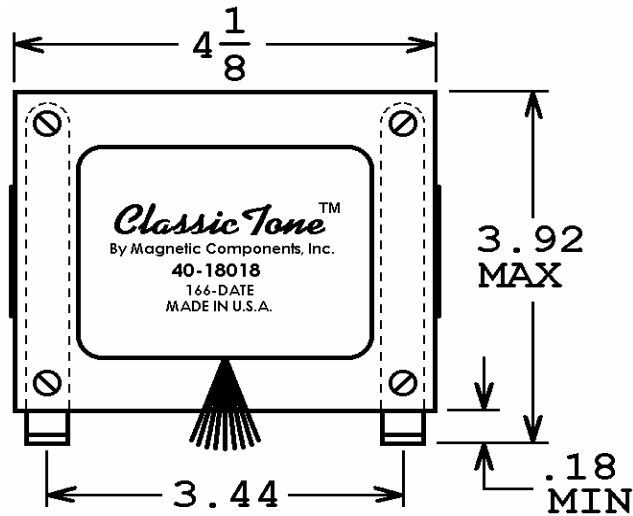


This drawing is the property of Magnetic Components, Inc. and shall not be reproduced, in whole or in part, without the written permission of Magnetic Components, Inc.

REVISIONS			
LTR	DESCRIPTION	DATE	APPROVED
A	DEL TRU-TONE MARKING	05/04/09	M. Sacketti
B	ADD ClassicTone, PROPRIETARY NOTE, FENDER P/N	01/08/10	M. Sacketti



FENDER P/N :  
041752

UNLESS OTHERWISE SPECIFIED	
ALL DIMENSIONS IN INCHES DO NOT SCALE DRAWING	
FRACTIONS +/-	
.X = +/-	
.XX = +/-	
.XXX = +/-	
ANGLES = +/-	

SIGNATURES		DATE
DRAWN : <i>M. Sacketti</i>		01 APR 09
CHECK :		
APPR : <i>M. Sacketti</i>		01 APR 09

MAGNETIC COMPONENTS, INC.		DRAWING No. : OOA-85179	
TITLE <b>POWER TRANSFORMER</b>		DIV : LOC : SCHILLER PK	
CAGE 50508	SIZE <b>A</b>	PART No. <b>40-18018</b>	REV <b>B</b>
SCALE NONE	SHEET :		