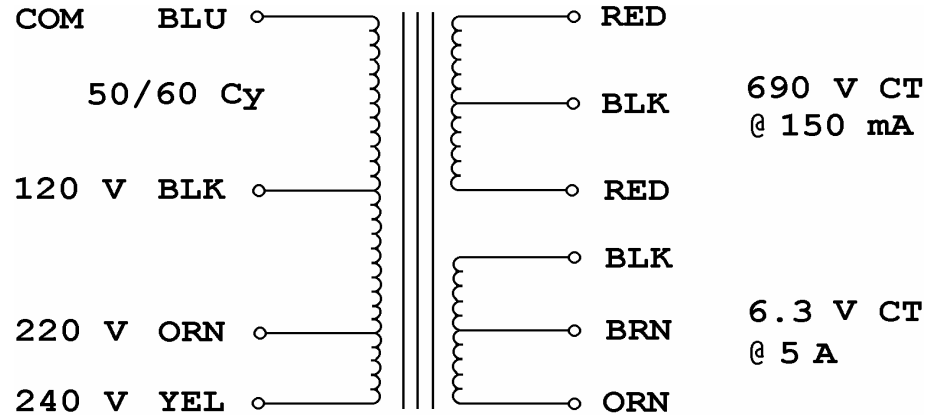
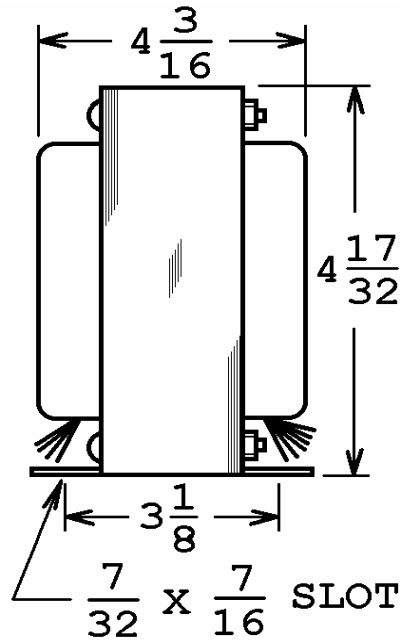
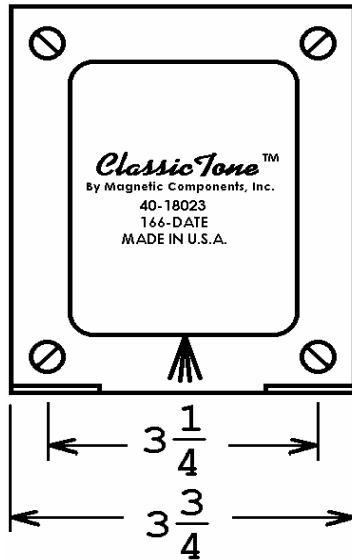


This drawing is the property of Magnetic Components, Inc. and shall not be reproduced, in whole or in part, without the written permission of Magnetic Components, Inc.

REVISIONS			
LTR	DESCRIPTION	DATE	APPROVED
A	DEL TRU-TONE MARKING	05/04/09	M. Sacketti
B	ADD ClassicTone, PROPRIETARY NOTE	01/08/10	M. Sacketti
C	ADD LEAD WIRE NOTE	06/10/10	M. Sacketti



NOTE: 6.3V CT WINDING HAS HEAVIER GAUGE LEADS

DRAWING No. :  
OOA-85180  
DIV :  
LOC : SCHILLER PK

UNLESS OTHERWISE SPECIFIED		SIGNATURES		DATE		MAGNETIC COMPONENTS, INC.		TITLE	
ALL DIMENSIONS IN INCHES DO NOT SCALE DRAWING		DRAWN : <i>M. Sacketti</i>		02 APR 09		MAGNETIC COMPONENTS, INC.		50W MARSHALL POWER	
CHECK :		APPR : <i>M. Sacketti</i>		02 APR 09		CAGE 50508		PART No. 40-18023	
FRACTIONS +/-						SCALE NONE		REV C	
.X = +/-						SIZE A		SHEET :	
.XX = +/-									
.XXX = +/-									
ANGLES = +/-									