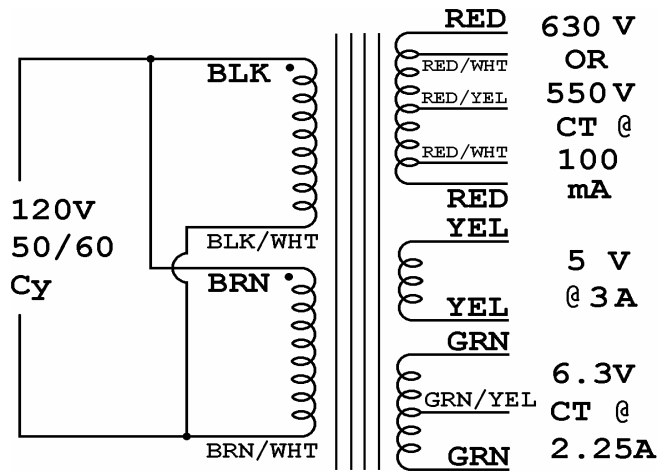


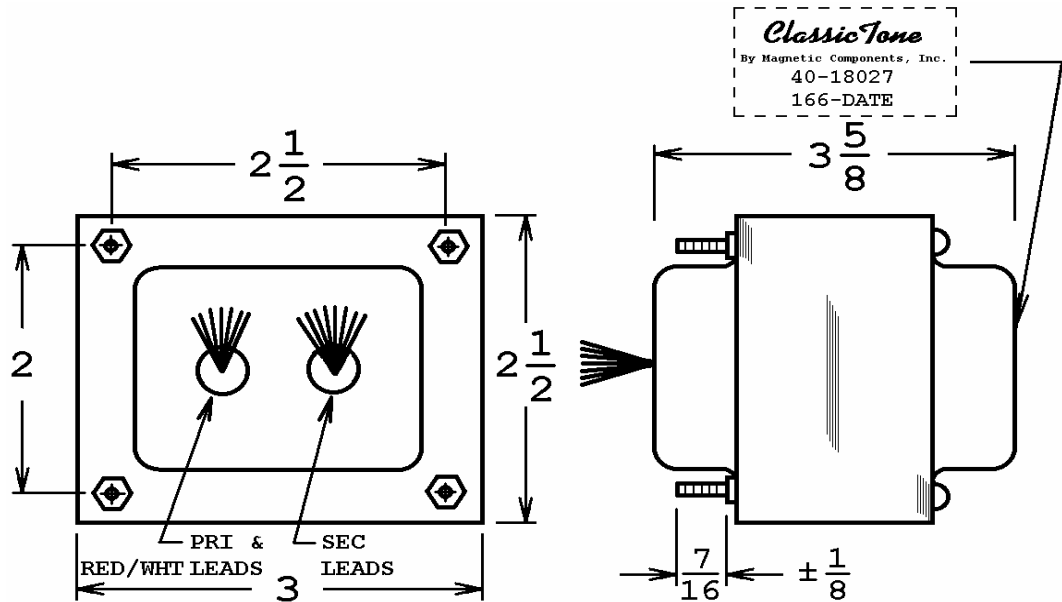
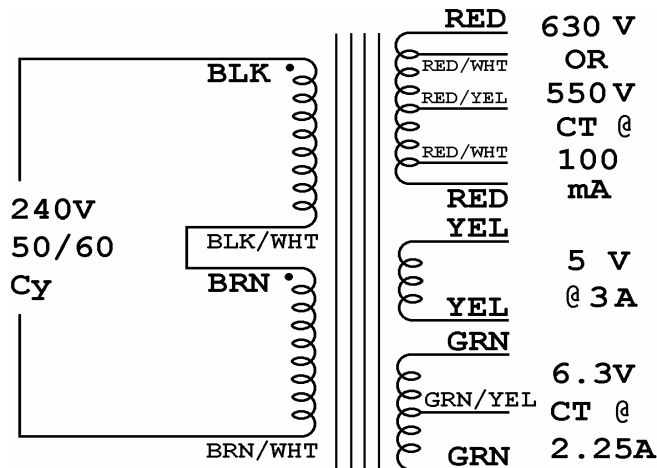
REVISIONS

LTR	DESCRIPTION	DATE	APPROVED
E	ADD MOUNTING HARDWARE NOTE, CT VOLTAGES	10/27/11	M. Sacketti
F	ADD B+ VOLTAGES CHART	02/01/12	M. Sacketti
G	DELETE THERMAL CUTOUT	05/14/12	M. Sacketti
H	5V @ 3A WAS 2A IN ERROR	08/08/14	M. Sacketti
I	6.3V WAS @ 2A	09/26/16	M. Sacketti

120V CONNECTIONS



240V CONNECTIONS



USE FOUR # 8-32 HEX NUTS (NOT SUPPLIED) FOR CHASSIS MOUNTING. PLEASE DO NOT REMOVE EXISTING HEX NUTS.

PLATE WINDING :

315V-0-315V (630V CT) RED-RED/YEL-RED OR  
275V-0-275V (550V CT) RED/WHT-RED/YEL-RED/WHT

SEE CHART BELOW FOR B+ VOLTAGES

PLATE VOLTAGES

VALUES BELOW @ 100mADC LOAD  
WITH 120V, 60CY INPUT

TAPS	RECT.	B+
RED	5Y3GT	363VDC
RED	5AR4	375VDC
RED	1N4007	398VDC
R/W	5Y3GT	315VDC
R/W	5AR4	326VDC
R/W	1N4007	349VDC

UNLESS OTHERWISE SPECIFIED		SIGNATURES		DATE		MAGNETIC COMPONENTS, INC.		DIV :	
ALL DIMENSIONS IN INCHES DO NOT SCALE DRAWING		DRAWN : <i>M. Sacketti</i>		13 FEB 09		TITLE		LOC : SCHILLER PK	
CHECK :		APPR : <i>M. Sacketti</i>		13 FEB 09		CAGE 50508		PART No.	
FRACTIONS +/-						SCALE NONE		40-18027	
.X = +/-						SIZE A		REV I	
.XX = +/-								SHEET :	
.XXX = +/-									
ANGLES = +/-									