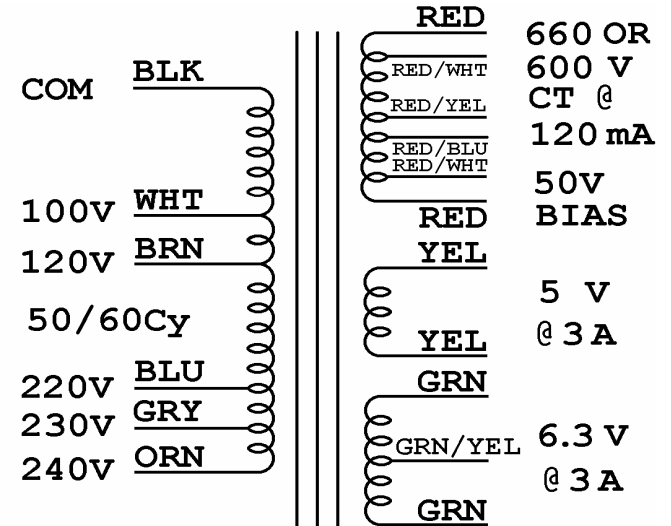
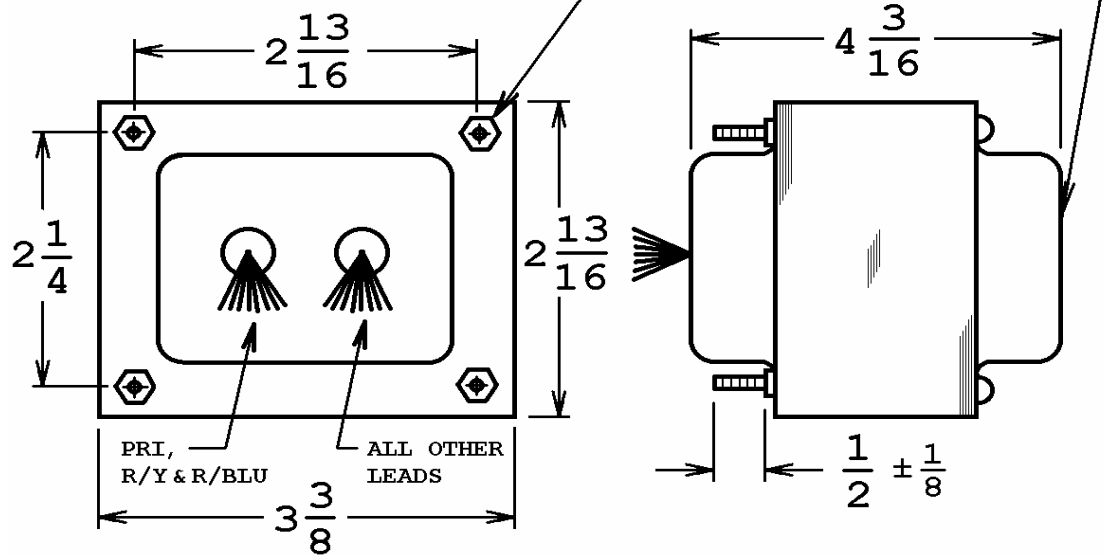


40-18028

This drawing is the property of Magnetic Components, Inc. and shall not be reproduced, in whole or in part, without the written permission of Magnetic Components, Inc.

REVISIONS			
LTR	DESCRIPTION	DATE	APPROVED
A	1/2 SCREW LENGTH WAS 5/8	5/6/2014	M. Sacketti

USE FOUR #8-32 HEX NUTS (NOT SUPPLIED) FOR CHASSIS MOUNTING. PLEASE DO NOT REMOVE EXISTING HEX NUTS.



RED-RED/YEL-RED = 330V-0V-330V (660V CT)
 RED/WHT-RED/YEL-RED/WHT = 300V-0V-300V (600V CT)
 RED/BLU-RED/YEL = 50V BIAS

NOTE : SEE CHART BELOW FOR PLATE VOLTAGES

PLATE VOLTAGES

VALUES BELOW @ 120mADC LOAD WITH 120V, 60CY INPUT

TAPS	RECT.	B+
RED	5U4GB	375VDC
RED	5Y3GT	392VDC
RED	5AR4	406VDC
R/W	5U4GB	334VDC
R/W	5Y3GT	354VDC
R/W	5AR4	367VDC

UNLESS OTHERWISE SPECIFIED		SIGNATURES		DATE		MAGNETIC COMPONENTS, INC.		DIV :	
ALL DIMENSIONS IN INCHES DO NOT SCALE DRAWING		DRAWN : <i>M. Sacketti</i>		19 JAN 2012		TITLE		LOC : SCHILLER PK	
CHECK :		APPR : <i>M. Sacketti</i>		19 JAN 2012		DELUXE POWER TRANSFORMER			
FRACTIONS +/-		CAGE		50508		SIZE		PART No.	
.X = +/-		SCALE		NONE		A		40-18028	
.XX = +/-								REV	
.XXX = +/-								A	
ANGLES = +/-								SHEET :	