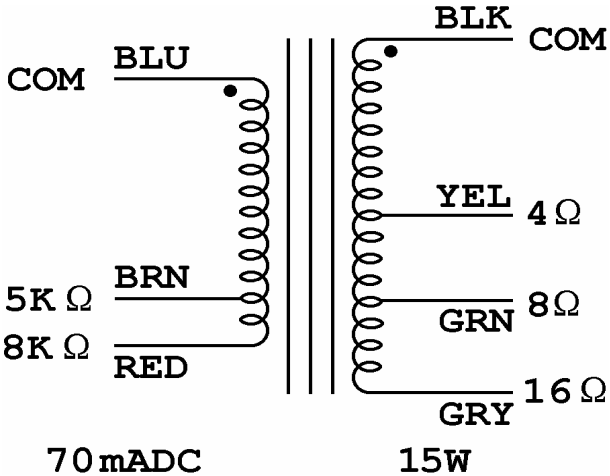
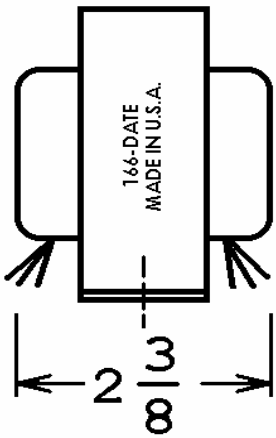
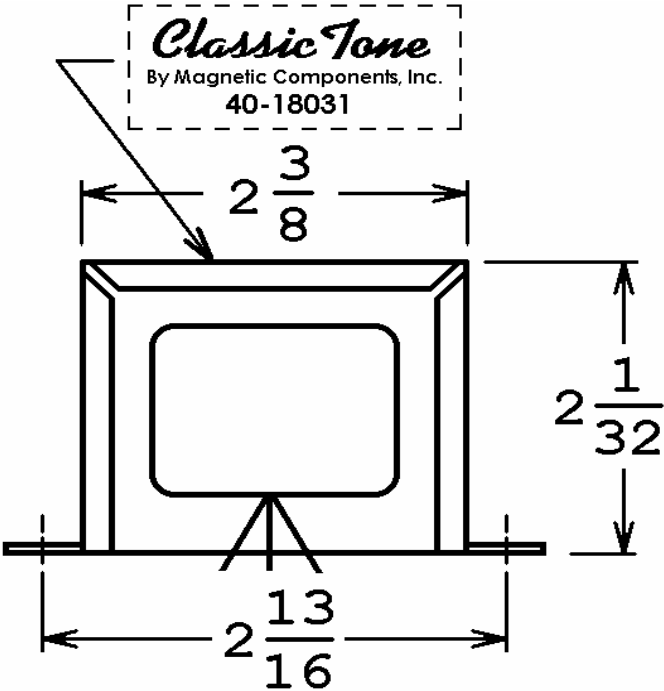


40-18031

This drawing is the property of Magnetic Components, Inc. and shall not be reproduced, in whole or in part, without the written permission of Magnetic Components, Inc.

REVISIONS			
LTR	DESCRIPTION	DATE	APPROVED
A	DEL TRU-TONE MARKING	05/04/09	M. Sacketti
B	ADD ClassicTone	03/23/10	M. Sacketti
C	ADD PRIMARY CONNECTIONS NOTE	04/20/11	M. Sacketti



USE BLU & BRN FOR 5K OHM PRIMARY
USE BLU & RED FOR 8K OHM PRIMARY

UNLESS OTHERWISE SPECIFIED ALL DIMENSIONS IN INCHES DO NOT SCALE DRAWING FRACTIONS +/- .X = +/- .XX = +/- .XXX = +/- ANGLES = +/-	SIGNATURES		DATE	MAGNETIC COMPONENTS, INC.		DIV : LOC : SCHILLER PK		
	DRAWN : <i>M. Sacketti</i>		29 APR 09	TITLE 15W SINGLE-ENDED OUTPUT				
	CHECK :			CAGE 50508		SIZE	PART No.	REV
	APPR : <i>M. Sacketti</i>		29 APR 09	SCALE NONE		A	40-18031	C
SHEET :								