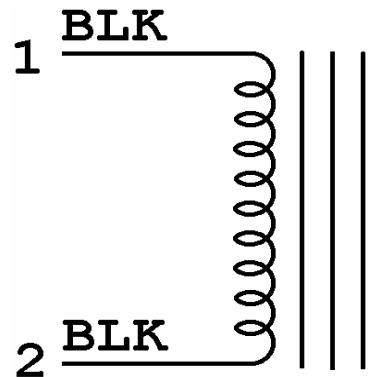
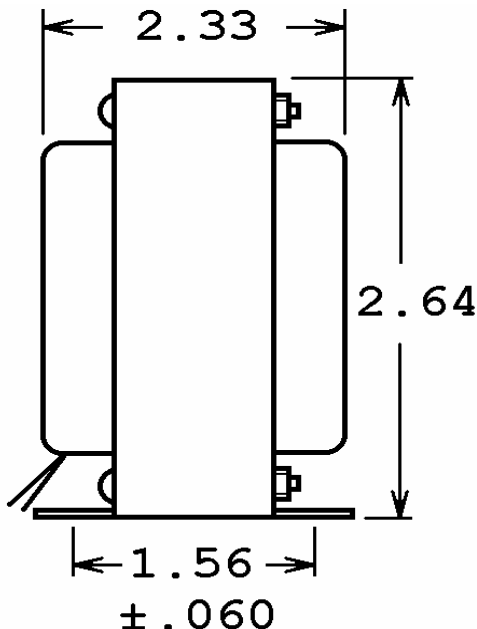
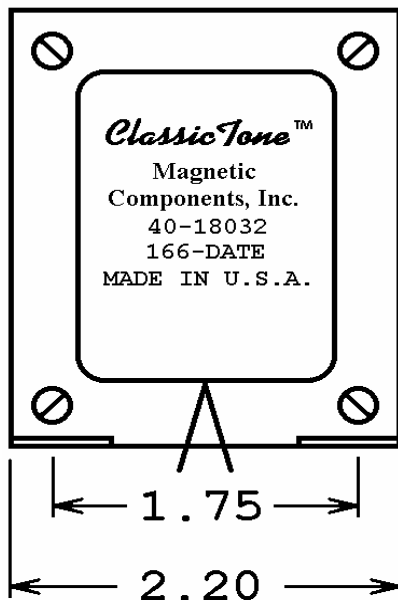


40-18032

This drawing is the property of Magnetic Components, Inc. and shall not be reproduced, in whole or in part, without the written permission of Magnetic Components, Inc.

REVISIONS			
LTR	DESCRIPTION	DATE	APPROVED
A	ADD CLASSICTONE	11/06/09	M. Sacketti
B	LEADS WERE RED & BLK	12/20/12	M. Sacketti



L = 5 Hy @ 120mA DC
D.C.R. = 115Ω

UNLESS OTHERWISE SPECIFIED ALL DIMENSIONS IN INCHES DO NOT SCALE DRAWING FRACTIONS +/- .X = +/- .XX = +/- .XXX = +/- ANGLES = +/-	SIGNATURES		DATE	MAGNETIC COMPONENTS, INC.	DIV :	
	DRAWN : <i>M. Sacketti</i>		07 MAY 09	TITLE	LOC : SCHILLER PK	
	CHECK :			5 Hy MARSHALL CHOKE		
	APPR : <i>M. Sacketti</i>		07 MAY 09	CAGE	SIZE	PART No.
				50508	A	40-18032
			SCALE	NONE	REV	
					B	
					SHEET :	