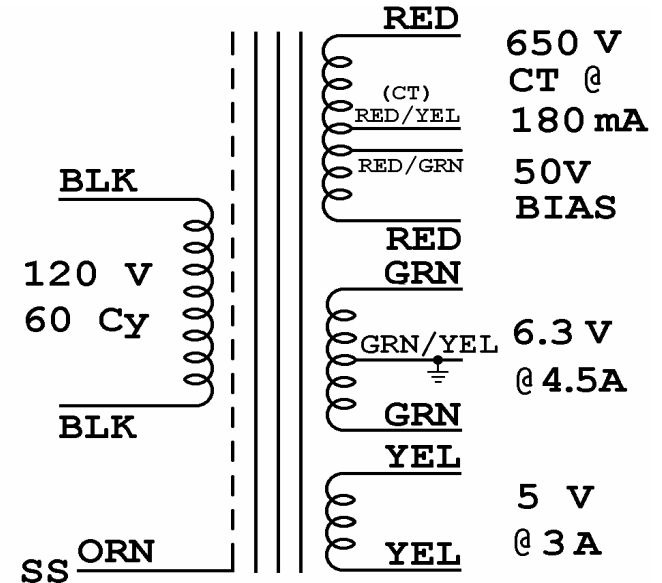
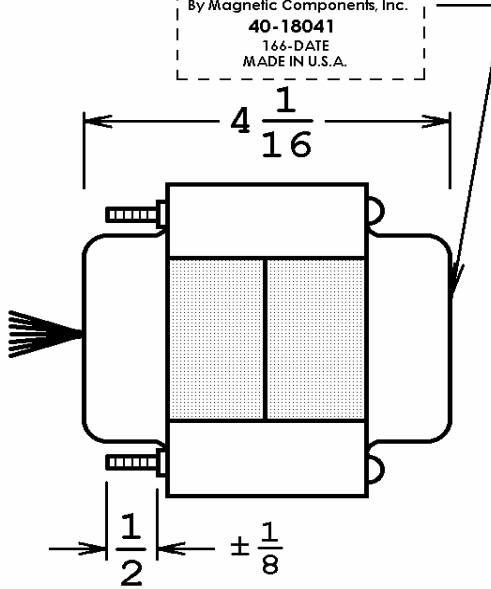
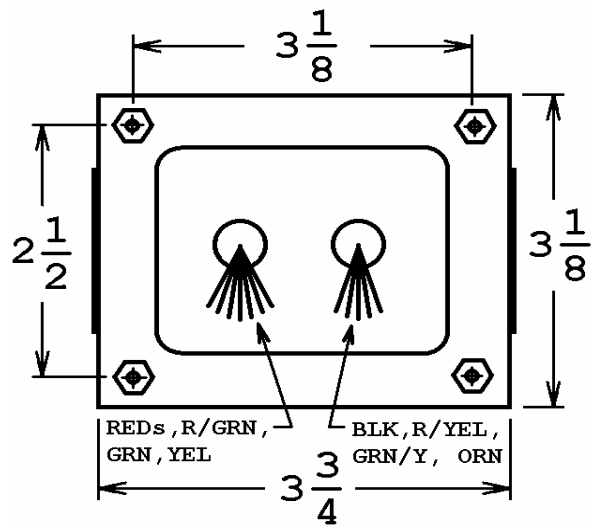


40-18041

This drawing is the property of Magnetic Components, Inc. and shall not be reproduced, in whole or in part, without the written permission of Magnetic Components, Inc.

REVISIONS			
LTR	DESCRIPTION	DATE	APPROVED
A	ADD GROUND NOTE	06/10/10	M. Sacketti
B	ADD RED-RED/Y-RED=325V-0-325V, RED/Y-RED/BLU=50V BIAS	04/06/11	M. Sacketti
C	ADD MOUNTING HARDWARE NOTE, GRN/Y GROUNDED	10/27/11	M. Sacketti



GROUND ORN LEAD TO CHASSIS
 RED-RED/YEL-RED = 325V-0-325V AC
 RED/YEL-RED/BLU = 50V BIAS

NOTE: GRN/YEL LEAD INTERNALLY GROUNDED

USE FOUR # 8-32 HEX NUTS (NOT SUPPLIED) FOR CHASSIS MOUNTING. PLEASE DO NOT REMOVE EXISTING HEX NUTS.

FENDER P/N
 022723
 125P26A

UNLESS OTHERWISE SPECIFIED		SIGNATURES		DATE		MAGNETIC COMPONENTS, INC.		DIV :		
ALL DIMENSIONS IN INCHES DO NOT SCALE DRAWING		DRAWN : <i>M. Sacketti</i>		13 JAN 10		TITLE		LOC : SCHILLER PK		
FRACTIONS +/-		CHECK :				POWER TRANSFORMER				
.X = +/-		APPR : <i>M. Sacketti</i>		13 JAN 10		CAGE	50508	SIZE	PART No.	REV
.XX = +/-						SCALE	NONE	A	40-18041	C
.XXX = +/-						SHEET :				
ANGLES = +/-										