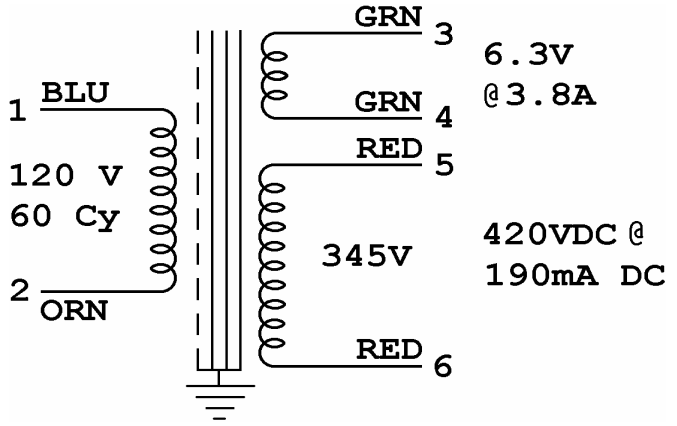
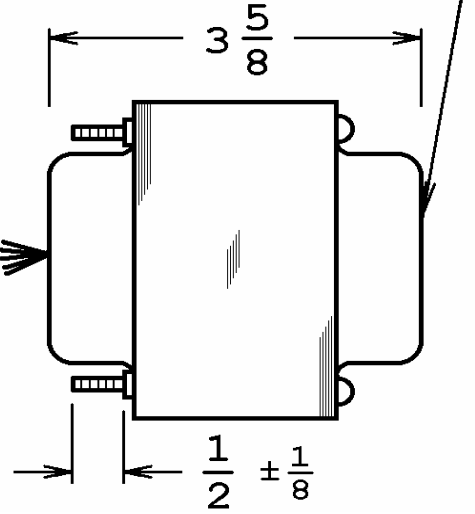
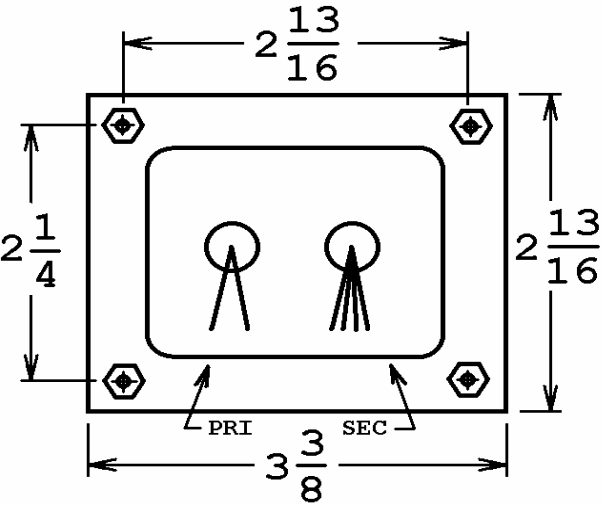


This drawing is the property of Magnetic Components, Inc. and shall not be reproduced, in whole or in part, without the written permission of Magnetic Components, Inc.

REVISIONS			
LTR	DESCRIPTION	DATE	APPROVED
A	ADD RATINGS TO SCHEMATIC	04/20/11	M. Sacketti

*Classic Tone*<sup>TM</sup>  
By Magnetic Components, Inc.  
40-18048  
166-DATE  
MADE IN U.S.A.



UNLESS OTHERWISE SPECIFIED ALL DIMENSIONS IN INCHES DO NOT SCALE DRAWING FRACTIONS +/- .X = +/- .XX = +/- .XXX = +/- ANGLES = +/-	SIGNATURES		DATE	MAGNETIC COMPONENTS, INC.	DIV :
	DRAWN : <i>M. Sacketti</i>		29 OCT 10	TITLE	LOC : SCHILLER PK
	CHECK :			LESLIE POWER TRANSFORMER	
	APPR : <i>M. Sacketti</i>		29 OCT 10	CAGE 50508	SIZE PART No.
			SCALE NONE	<b>A</b> <b>40-18048</b>	<b>A</b>
					SHEET :