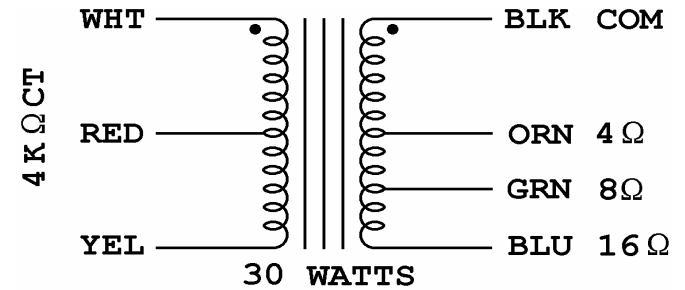
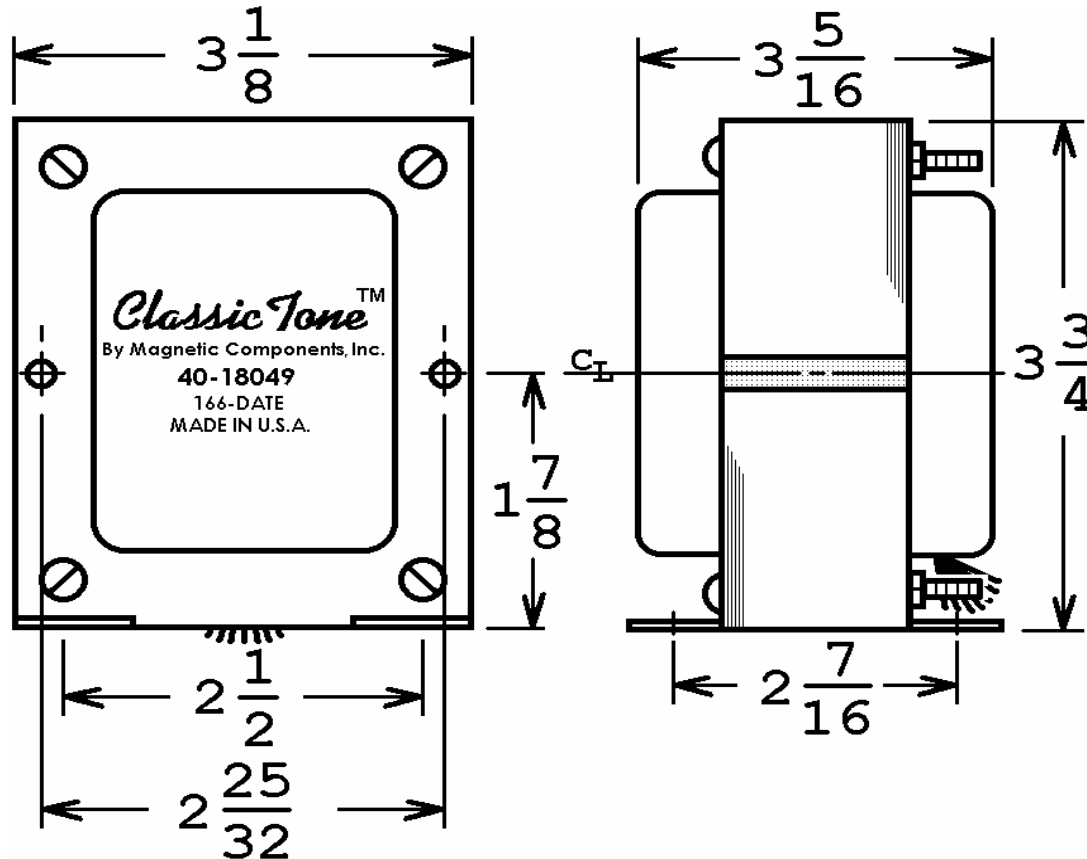


40-18049

This drawing is the property of Magnetic Components, Inc. and shall not be reproduced, in whole or in part, without the written permission of Magnetic Components, Inc.

| REVISIONS | | | |
|-----------|------------------------|----------|-------------|
| LTR | DESCRIPTION | DATE | APPROVED |
| A | ADD TWO-HOLE MOUNTING. | 12/06/11 | M. Sacketti |



NOTE: RIGHT SIDE END BELL IS REMOVABLE FOR LAY-DOWN STYLE MOUNTING WITH #8-32 SCREWS ON 2.5 X 3.125 MOUNTING CENTERS. SCREWS CAN ALSO BE USED FOR TWO-HOLE MOUNTING IN CENTER HOLES.

| UNLESS OTHERWISE SPECIFIED | | SIGNATURES | | DATE | | MAGNETIC COMPONENTS, INC. | | DIV : | | | | | |
|--|--|---------------------------|--|-----------|--|---------------------------|--|-------------------|--|-------|-------|----------|-----------------|
| ALL DIMENSIONS IN INCHES DO NOT SCALE DRAWING | | DRAWN : <i>M.S.</i> | | 05 NOV 10 | | TITLE | | LOC : SCHILLER PK | | | | | |
| FRACTIONS +/- | | CHECK : | | | | <h1>VOX AC30 OUTPUT</h1> | | | | | | | |
| .X = +/- | | APPR : <i>M. Sacketti</i> | | 05 NOV 10 | | | | | | CAGE | 50508 | SIZE | PART No. |
| .XX = +/- | | | | | | | | | | SCALE | NONE | A | 40-18049 |
| .XXX = +/- | | | | | | | | | | | | REV | A |
| ANGLES = +/- | | | | | | | | SHEET : | | | | | |