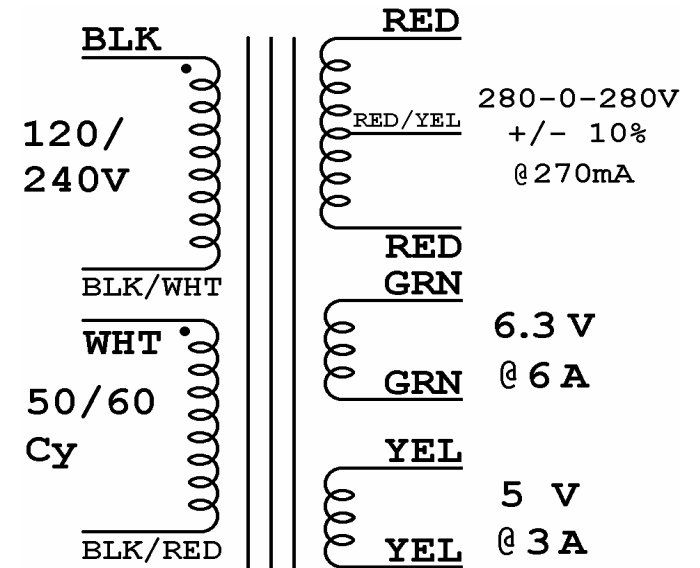
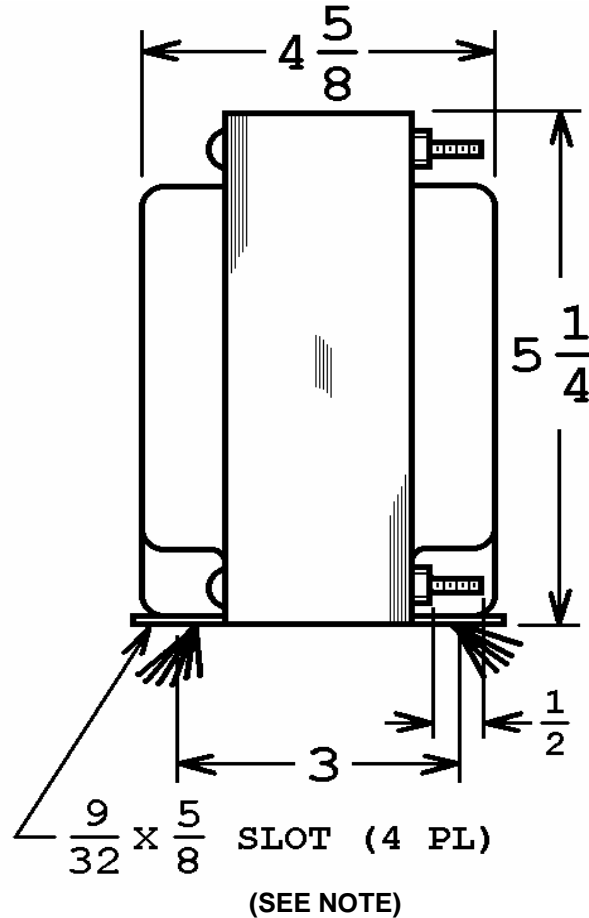
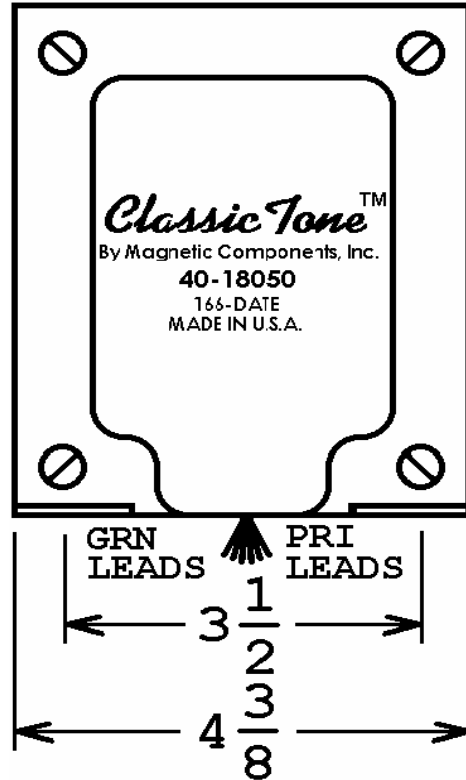


40-18050

This drawing is the property of Magnetic Components, Inc. and shall not be reproduced, in whole or in part, without the written permission of Magnetic Components, Inc.

REVISIONS			
LTR	DESCRIPTION	DATE	APPROVED
A	ADD PRIMARY 120V/240V CONNECTIONS	04/05/11	M. Sacketti
B	RED-RED WAS 560V CT	06/20/12	M. Sacketti



**120V:** INPUT TO BLK AND BLK/WHT (CONNECT BLK TO WHT AND BLK/WHT TO BLK/RED)  
**240V:** INPUT TO BLK AND BLK/RED (CONNECT BLK/WHT TO WHT)

**NOTE:** RIGHT SIDE END BELL IS REMOVABLE FOR LAY-DOWN STYLE MOUNTING WITH #8-32 SCREWS ON 3.5 X 4.375 MOUNTING CENTERS.

UNLESS OTHERWISE SPECIFIED		SIGNATURES		DATE	MAGNETIC COMPONENTS, INC.		DIV :		
ALL DIMENSIONS IN INCHES DO NOT SCALE DRAWING		DRAWN :	<i>M. Sacketti</i>	29 OCT 10	TITLE VOX AC30 POWER TRANSFORMER		LOC : SCHILLER PK		
		CHECK :							
FRACTIONS +/-		APPR :	<i>M. Sacketti</i>	29 OCT 10	CAGE	50508	SIZE	PART No.	REV
.X = +/-							A	40-18050	B
.XX = +/-					SCALE	NONE			
.XXX = +/-									
ANGLES = +/-								SHEET :	