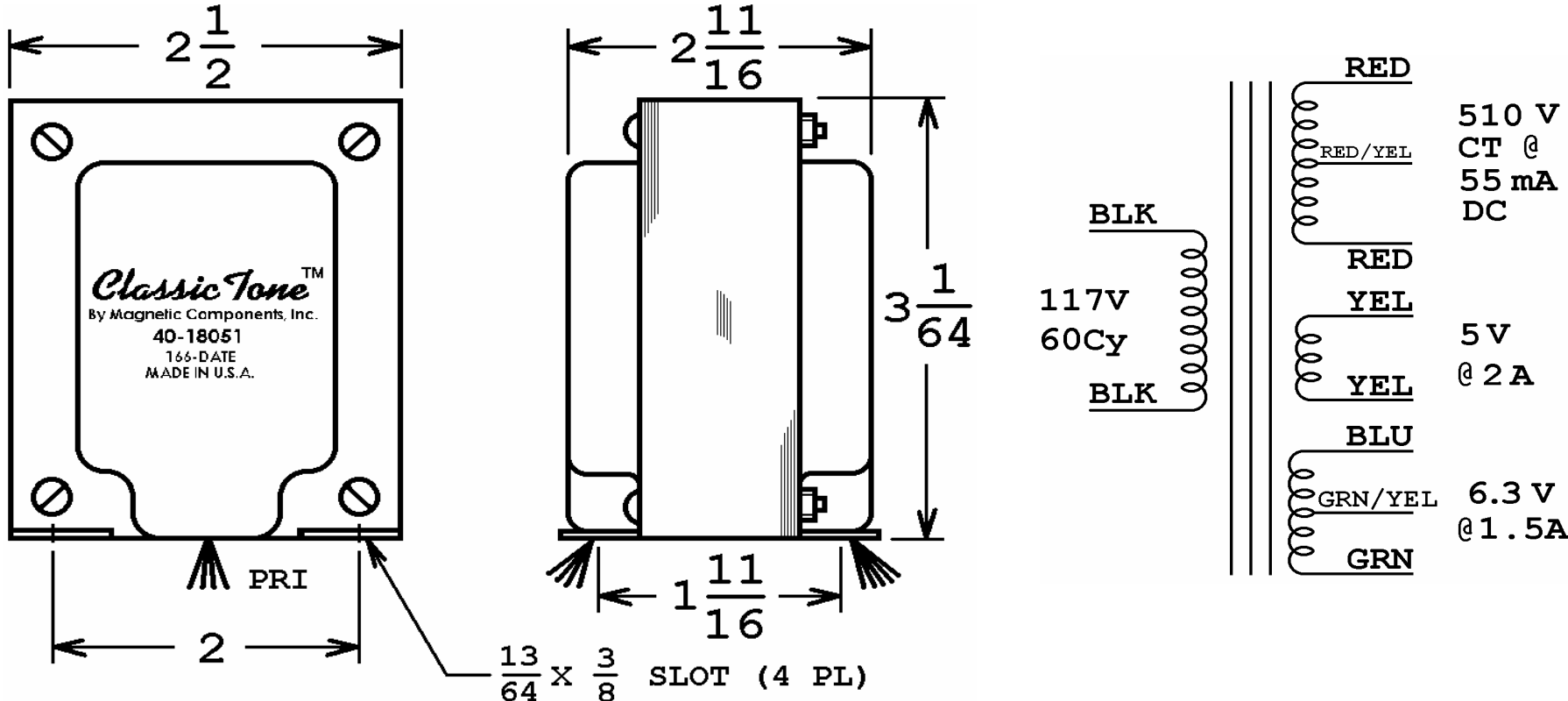


40-18051

This drawing is the property of Magnetic Components, Inc. and shall not be reproduced, in whole or in part, without the written permission of Magnetic Components, Inc.

REVISIONS		DATE	APPROVED
LTR	DESCRIPTION		
A	ADD C.T. ON 6.3V WINDING	12/20/12	M. Sacketti



VALCO :  
3036  
E-3036  
T-3036

UNLESS OTHERWISE SPECIFIED		SIGNATURES		DATE		MAGNETIC COMPONENTS, INC.		DIV : LOC : SCHILLER PK			
ALL DIMENSIONS IN INCHES DO NOT SCALE DRAWING		DRAWN : <i>M.S.</i>		13 JAN 11		TITLE <b>POWER TRANSFORMER</b>					
CHECK :		APPR : <i>M. Sacketti</i>		13 JAN 11		CAGE	50508	SIZE	PART No.	REV	
FRACTIONS +/-						SCALE		NONE		A	
.X = +/-								A		40-18051	
.XX = +/-										SHEET :	
.XXX = +/-											
ANGLES = +/-											