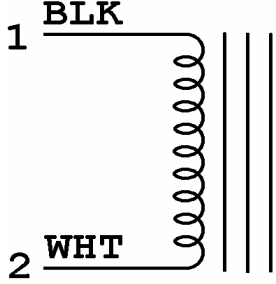
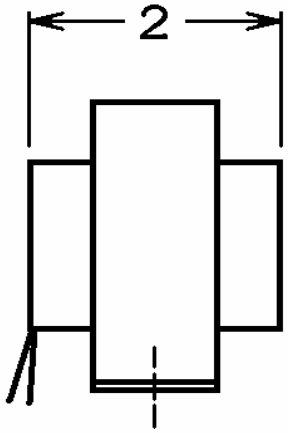
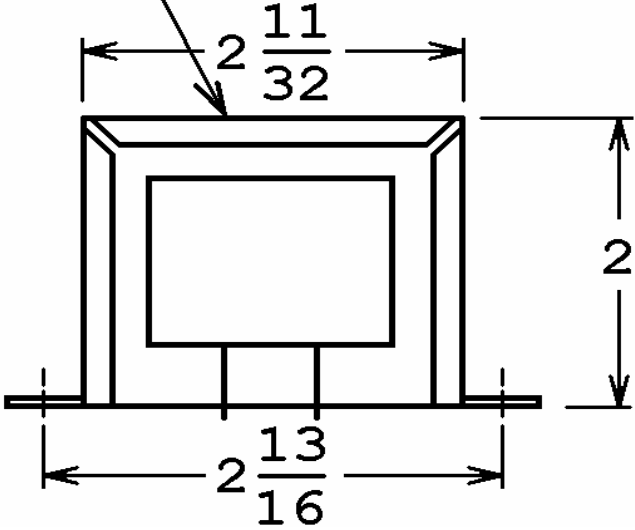


40-18058

This drawing is the property of Magnetic Components, Inc. and shall not be reproduced, in whole or in part, without the written permission of Magnetic Components, Inc.

REVISIONS			
LTR	DESCRIPTION	DATE	APPROVED
A	ADD 250mA DC. D.C.R. WAS 100Ω	04/05/11	M. Sacketti
B	BOTH LEADS WERE BLK	03/08/16	M. Sacketti

Classic Tone™
By Magnetic Components, Inc.
40-18058
166-DATE
MADE IN U.S.A.



L = 3 Hy, 250mA DC
D.C.R. = 112Ω

UNLESS OTHERWISE SPECIFIED ALL DIMENSIONS IN INCHES DO NOT SCALE DRAWING FRACTIONS +/- .X = +/- .XX = +/- .XXX = +/- ANGLES = +/-	SIGNATURES		DATE	MAGNETIC COMPONENTS, INC.	DIV :
	DRAWN : <i>M. Sacketti</i>		29 NOV 10	TITLE	LOC : SCHILLER PK
	CHECK :			3Hy MARSHALL CHOKE	
	APPR : <i>M. Sacketti</i>		29 NOV 10	CAGE 50508	SIZE PART No.
			SCALE NONE	A 40-18058	B
					SHEET :