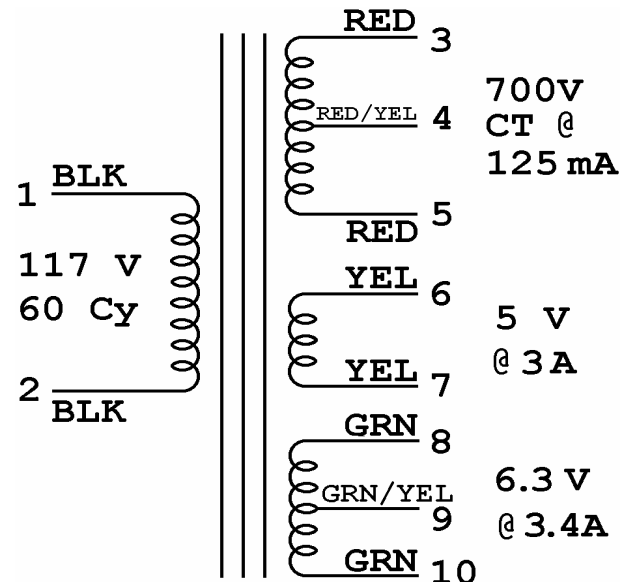
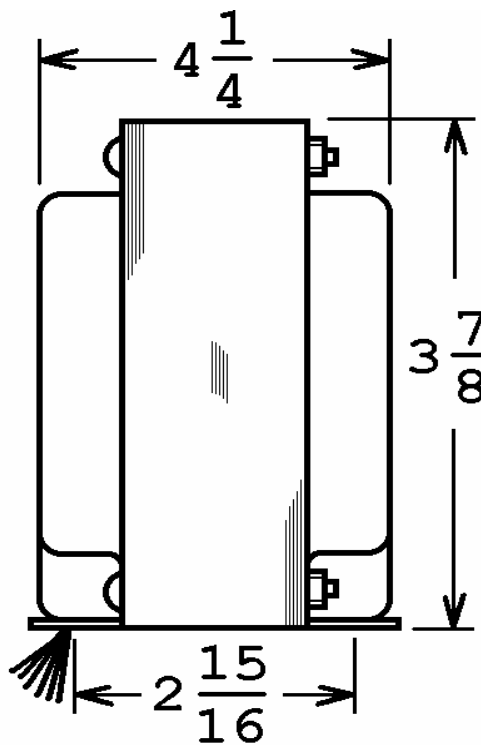


40-18060

This drawing is the property of Magnetic Components, Inc. and shall not be reproduced, in whole or in part, without the written permission of Magnetic Components, Inc.

REVISIONS		DATE	APPROVED
LTR	DESCRIPTION		
A	5V WAS @ 2A	04/02/12	M. Sacketti



$\frac{13}{64} \times \frac{3}{8}$ SLOT (4 PL)

DRAWING No. :
OOA-85368
DIV :
LOC : SCHILLER PK

VALCO :
330-3738
E-3738
E-3738A

UNLESS OTHERWISE SPECIFIED		SIGNATURES		DATE	MAGNETIC COMPONENTS, INC.		TITLE	
ALL DIMENSIONS IN INCHES DO NOT SCALE DRAWING		DRAWN : <i>M.S.</i>		07 FEB 11			POWER TRANSFORMER	
FRACTIONS +/-		CHECK :						
.X = +/-		APPR : <i>M. Sacketti</i>		07 FEB 11	CAGE	50508	SIZE	PART No.
.XX = +/-							A	40-18060
.XXX = +/-					SCALE	NONE		
ANGLES = +/-								REV
								A
								SHEET :