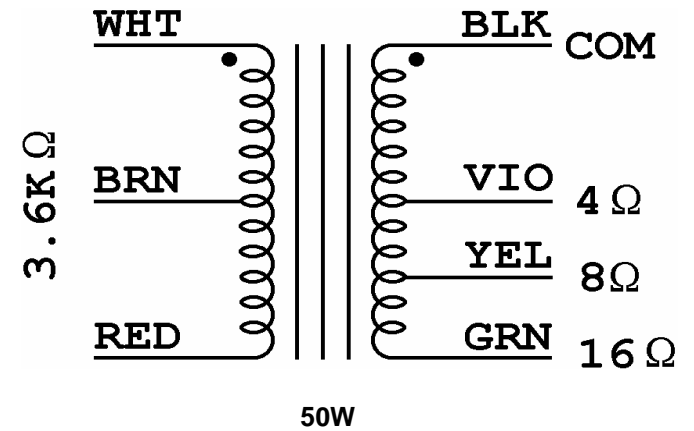
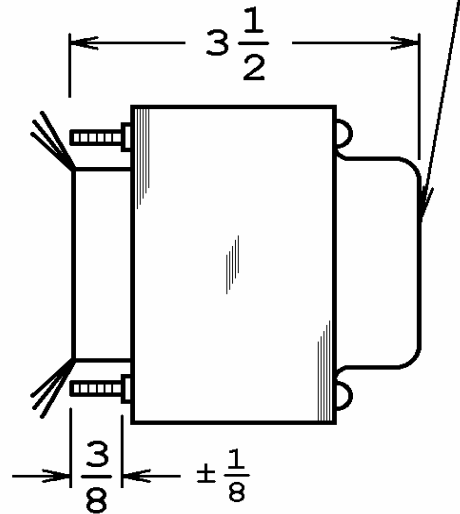
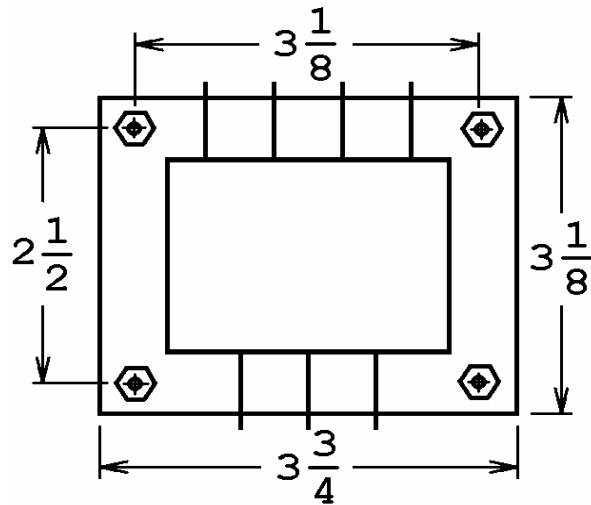


40-18074

This drawing is the property of Magnetic Components, Inc. and shall not be reproduced, in whole or in part, without the written permission of Magnetic Components, Inc.

REVISIONS			
LTR	DESCRIPTION	DATE	APPROVED
A	ADD MOUNTING HARDWARE NOTE	10/28/11	M. Sacketti

*Classic Tone*TM
By Magnetic Components, Inc.
40-18074
166-DATE
MADE IN U.S.A.



USE FOUR # 8-32 HEX NUTS (NOT SUPPLIED) FOR CHASSIS MOUNTING. PLEASE DO NOT REMOVE EXISTING HEX NUTS.

UNLESS OTHERWISE SPECIFIED		SIGNATURES		DATE		MAGNETIC COMPONENTS, INC.		DIV :		
ALL DIMENSIONS IN INCHES DO NOT SCALE DRAWING		DRAWN : <i>M.S.</i>		17 JUN 11		TITLE		LOC : SCHILLER PK		
FRACTIONS +/-		CHECK :				JCM900 & JCM2000 50W OUTPUT				
.X = +/-		APPR : <i>M. Sacketti</i>		17 JUN 11		CAGE	50508	SIZE	PART No.	REV
.XX = +/-						SCALE		A		A
.XXX = +/-						NONE		40-18074		
ANGLES = +/-								SHEET :		