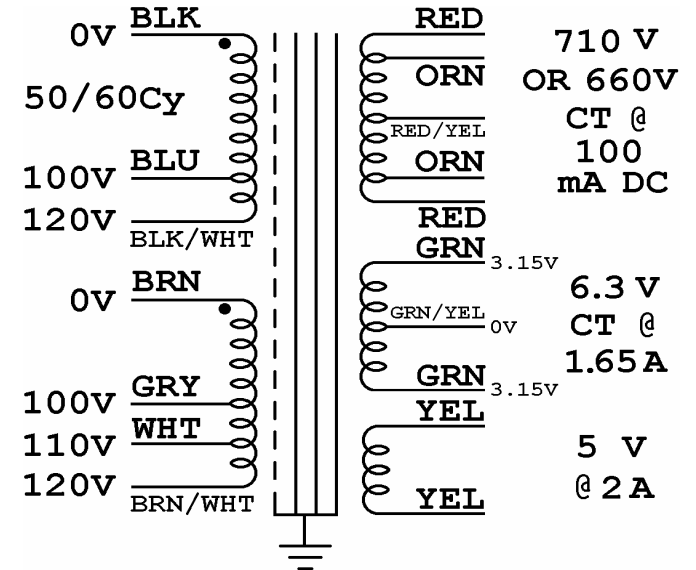
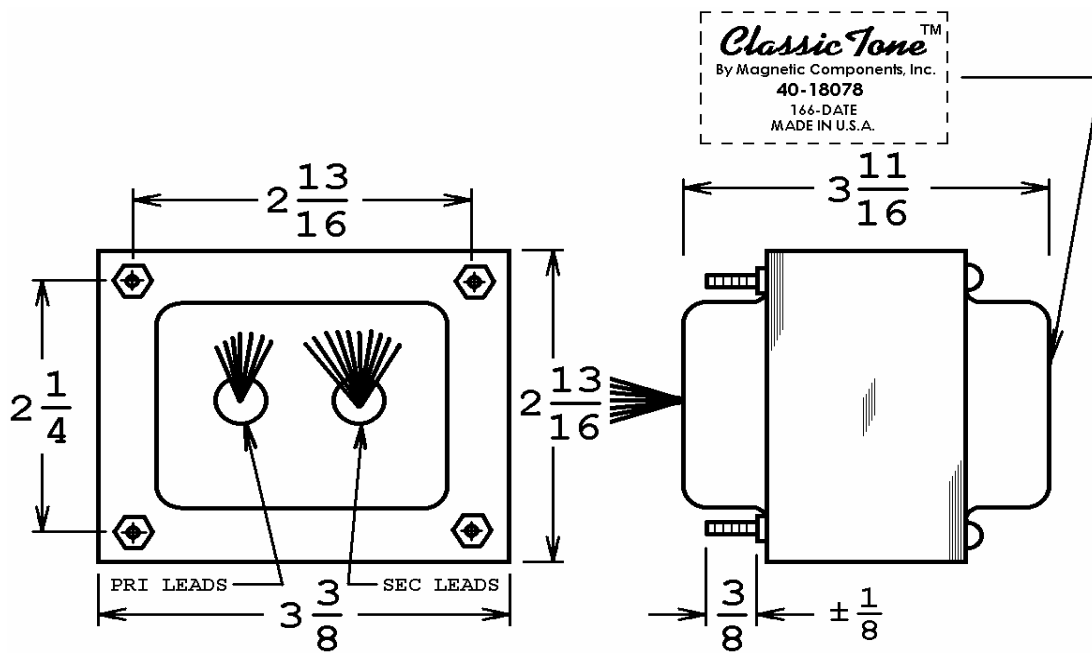


This drawing is the property of Magnetic Components, Inc. and shall not be reproduced, in whole or in part, without the written permission of Magnetic Components, Inc.

REVISIONS			
LTR	DESCRIPTION	DATE	APPROVED
A	CHANGE TO TWO HOLE END BELL	07/27/11	M. Sacketti
B	ADD MOUNTING HARDWARE NOTE	10/31/11	M. Sacketti
C	ADD 50/60 Cy TO SCHEMATIC	09/14/15	M. Sacketti



SEE SHEET 2 FOR PRIMARY CONNECTIONS

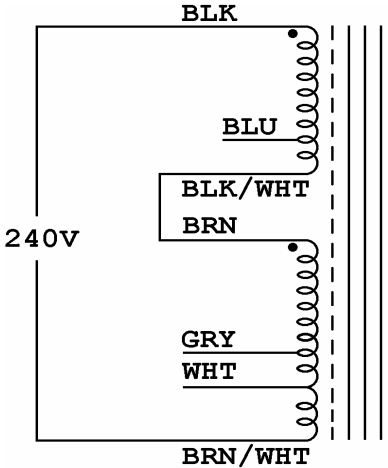
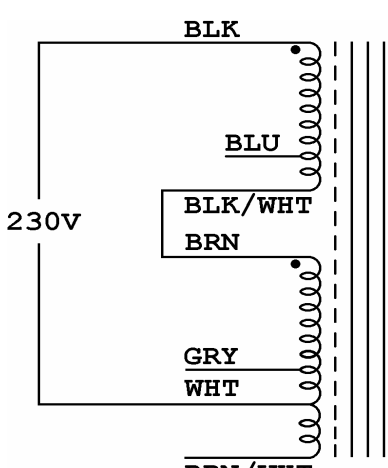
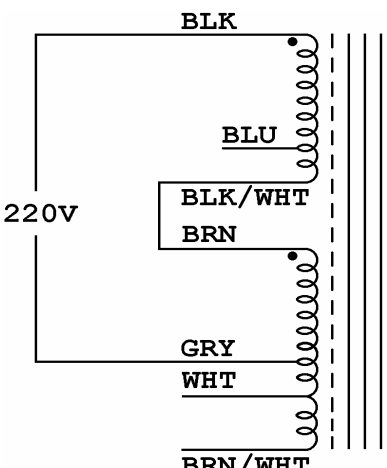
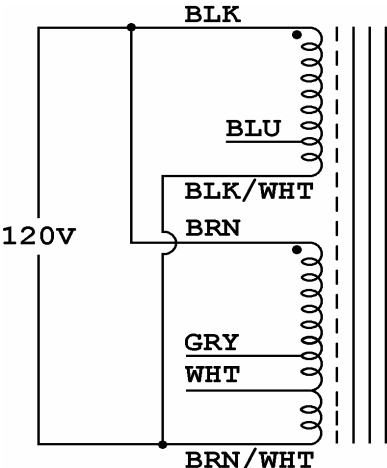
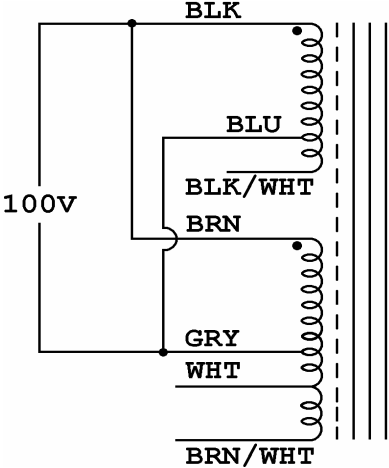
USE RED-RED/YEL-RED FOR 355V-0-355V (710V CT),
 B+ = APPROX. 395V DC.
 USE ORN-RED/YEL-ORN FOR 330V-0-330V, (660V CT),
 B+ = APPROX. 365V DC.

USE FOUR # 8-32 HEX NUTS (NOT SUPPLIED) FOR CHASSIS MOUNTING. PLEASE DO NOT REMOVE EXISTING HEX NUTS.

UNLESS OTHERWISE SPECIFIED		SIGNATURES		DATE		MAGNETIC COMPONENTS, INC.		DIV :	
ALL DIMENSIONS IN INCHES DO NOT SCALE DRAWING		DRAWN : <i>M. Sacketti</i>		15 JUL 11		TITLE		LOC : SCHILLER PK	
FRACTIONS +/-		CHECK :				5E3 TWEED DELUXE POWER TRANSFORMER			
.X = +/-		APPR : <i>M. Sacketti</i>		15 JUL 11		CAGE	50508	SIZE	PART No.
.XX = +/-						SCALE		NONE	
.XXX = +/-								A	
ANGLES = +/-								40-18078	
								REV	
								C	
								SHEET : 1 OF 2	

This drawing is the property of Magnetic Components, Inc. and shall not be reproduced, in whole or in part, without the written permission of Magnetic Components, Inc.

REVISIONS			
LTR	DESCRIPTION	DATE	APPROVED



UNLESS OTHERWISE SPECIFIED ALL DIMENSIONS IN INCHES DO NOT SCALE DRAWING FRACTIONS +/- .X = +/- .XX = +/- .XXX = +/- ANGLES = +/-	SIGNATURES		DATE		MAGNETIC COMPONENTS, INC.		DIV : LOC : SCHILLER PK	
	DRAWN : <i>[Signature]</i>		15 JUL 11		TITLE			
	CHECK :				PRIMARY WIRING DIAGRAMS			
	APPR : <i>[Signature]</i>		15 JUL 11		CAGE	50508	SIZE	PART No.
				SCALE	NONE	A	40-18078	C
							SHEET : 2 OF 2	