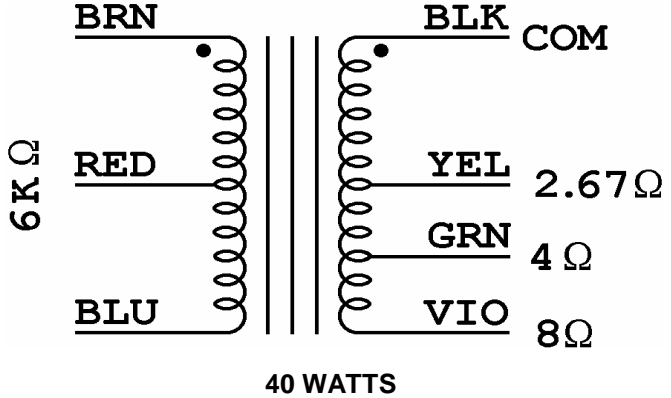
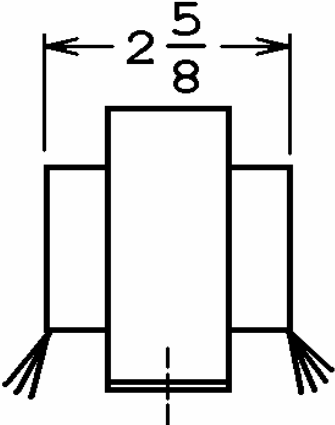
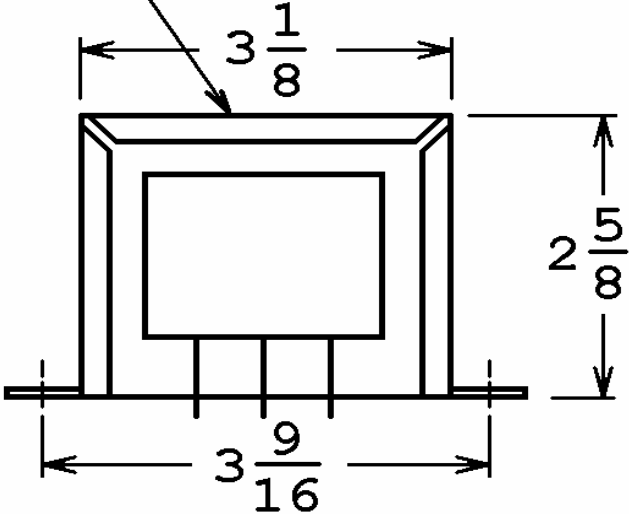


This drawing is the property of Magnetic Components, Inc. and shall not be reproduced, in whole or in part, without the written permission of Magnetic Components, Inc.

REVISIONS			
LTR	DESCRIPTION	DATE	APPROVED

Classic Tone™
 By Magnetic Components, Inc.
 40-18088
 166-DATE
 MADE IN U.S.A.



UNLESS OTHERWISE SPECIFIED ALL DIMENSIONS IN INCHES DO NOT SCALE DRAWING FRACTIONS +/- .X = +/- .XX = +/- .XXX = +/- ANGLES = +/-	SIGNATURES		DATE	MAGNETIC COMPONENTS, INC.		DIV : LOC : SCHILLER PK	
	DRAWN : <i>MJF</i>		16 MAR 2012	TITLE OUTPUT TRANSFORMER			
	CHECK :						
	APPR : <i>M. Lakota</i>		16 MAR 2012	CAGE	50508	SIZE	PART No.
			SCALE	NONE	A	40-18088	-
						SHEET :	