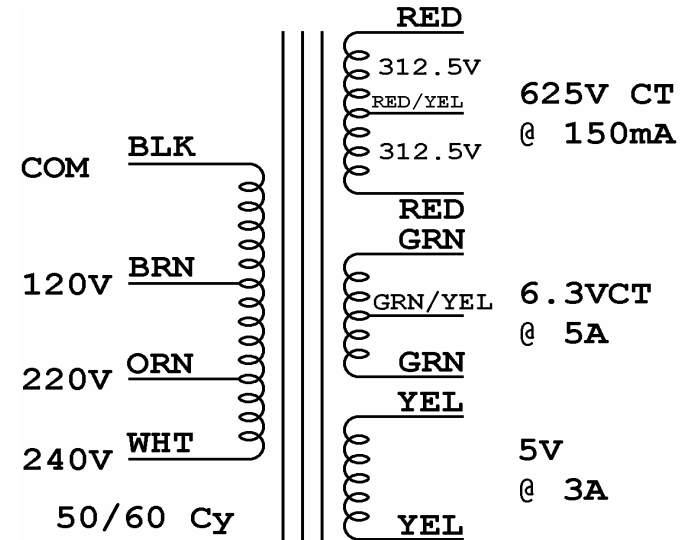
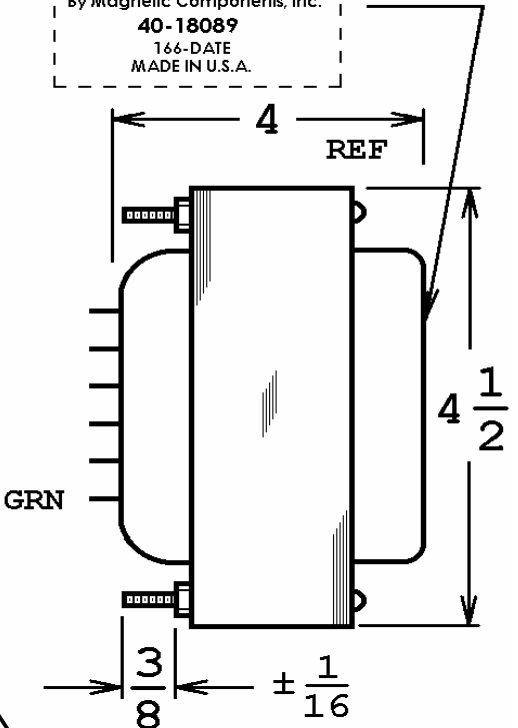
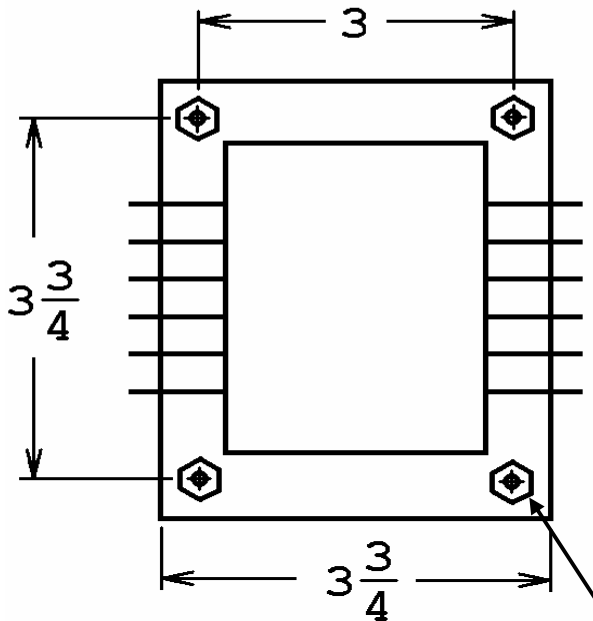


40-18089

This drawing is the property of Magnetic Components, Inc. and shall not be reproduced, in whole or in part, without the written permission of Magnetic Components, Inc.

REVISIONS			
LTR	DESCRIPTION	DATE	APPROVED
A	ADD MOUNTING HARDWARE NOTE	12/27/12	M. Sacketti

**Classic Tone™**  
 By Magnetic Components, Inc.  
 40-18089  
 166-DATE  
 MADE IN U.S.A.



USE FOUR # 8-32 HEX NUTS (NOT SUPPLIED) FOR CHASSIS MOUNTING. PLEASE DO NOT REMOVE EXISTING HEX NUTS.

UNLESS OTHERWISE SPECIFIED		SIGNATURES		DATE		MAGNETIC COMPONENTS, INC.		DIV :		
ALL DIMENSIONS IN INCHES DO NOT SCALE DRAWING		DRAWN : <i>M. Sacketti</i>		10 MAY 2012		TITLE		LOC : SCHILLER PK		
FRACTIONS +/-		CHECK :				POWER TRANSFORMER				
.X = +/-		APPR : <i>M. Sacketti</i>		10 MAY 2012		CAGE	50508	SIZE	PART No.	REV
.XX = +/-						SCALE		A	40-18089	A
.XXX = +/-						NONE				
ANGLES = +/-										