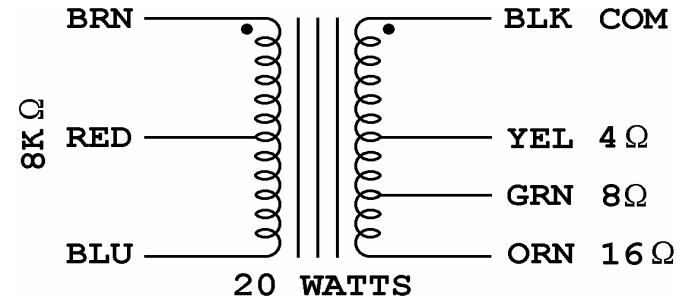
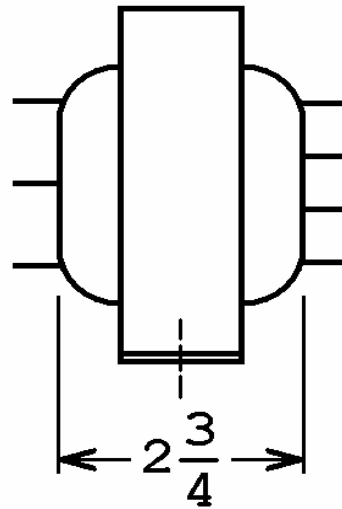
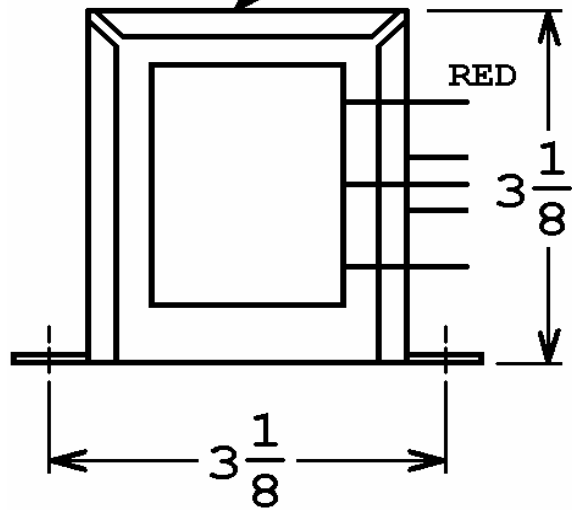


40-18090

This drawing is the property of Magnetic Components, Inc. and shall not be reproduced, in whole or in part, without the written permission of Magnetic Components, Inc.

REVISIONS			
LTR	DESCRIPTION	DATE	APPROVED

ClassicTone™
By Magnetic Components, Inc.
40-18090
166-DATE
MADE IN U.S.A.



UNLESS OTHERWISE SPECIFIED ALL DIMENSIONS IN INCHES DO NOT SCALE DRAWING FRACTIONS +/- .X = +/- .XX = +/- .XXX = +/- ANGLES = +/-	SIGNATURES		DATE	MAGNETIC COMPONENTS, INC.		DIV : LOC : SCHILLER PK	
	DRAWN : <i>MJF</i>		28 MAR 2012	TITLE TWEED DELUXE OUTPUT UPGRADE			
	CHECK :						
	APPR : <i>M. Lakota</i>		28 MAR 2012	CAGE 50508	SIZE A	PART No. 40-18090	REV -
			SCALE NONE			SHEET :	