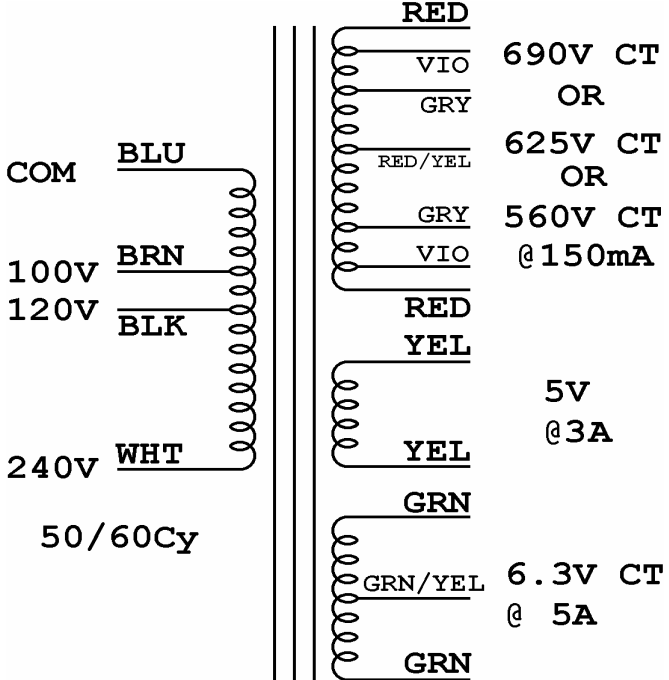
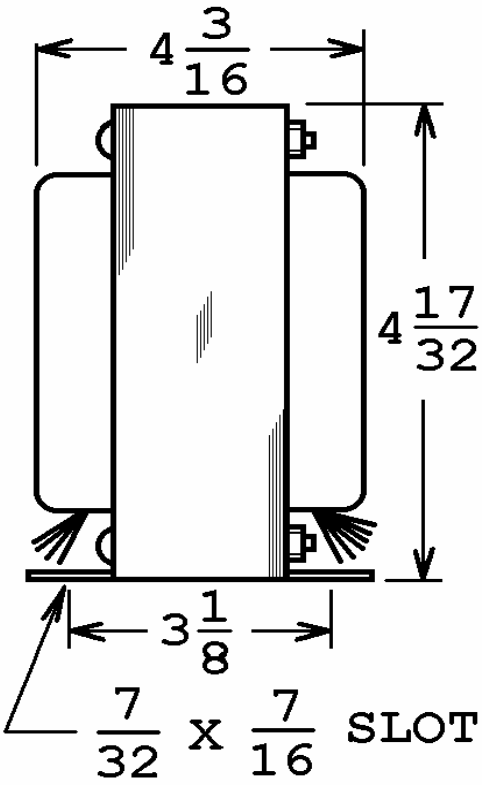
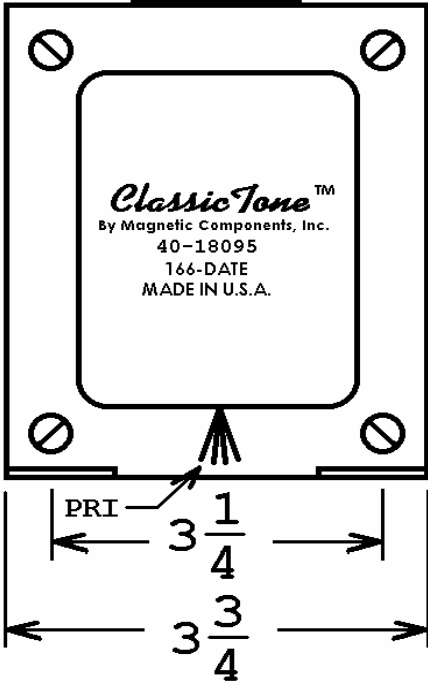


40-18095

This drawing is the property of Magnetic Components, Inc. and shall not be reproduced, in whole or in part, without the written permission of Magnetic Components, Inc.

REVISIONS			
LTR	DESCRIPTION	DATE	APPROVED
A	ADD 100V TAP. DEL 220V TAP. WHT WAS YEL	09/11/15	M. Sacketti



RED-RED/YEL-RED = 345-0-345V (690V CT)
 VIO-RED/YEL-VIO = 312.5-0-312.5V (625V CT)
 GRY-RED/YEL-GRY = 280-0-280V (560V CT)

UNLESS OTHERWISE SPECIFIED ALL DIMENSIONS IN INCHES DO NOT SCALE DRAWING	SIGNATURES		DATE	MAGNETIC COMPONENTS, INC.		DIV : LOC : SCHILLER PK	
	DRAWN : <i>M. Sacketti</i>		19 DEC 2012	TITLE POWER TRANSFORMER			
	CHECK :						
	APPR : <i>M. Sacketti</i>		19 DEC 2012	CAGE 50508	SIZE A	PART No. 40-18095	REV A
FRACTIONS +/- .X = +/- .XX = +/- .XXX = +/- ANGLES = +/-				SCALE NONE	SHEET :		