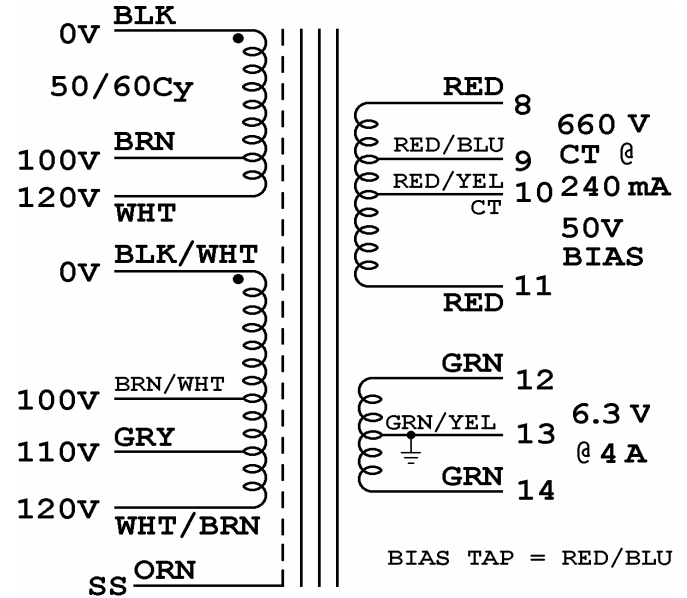
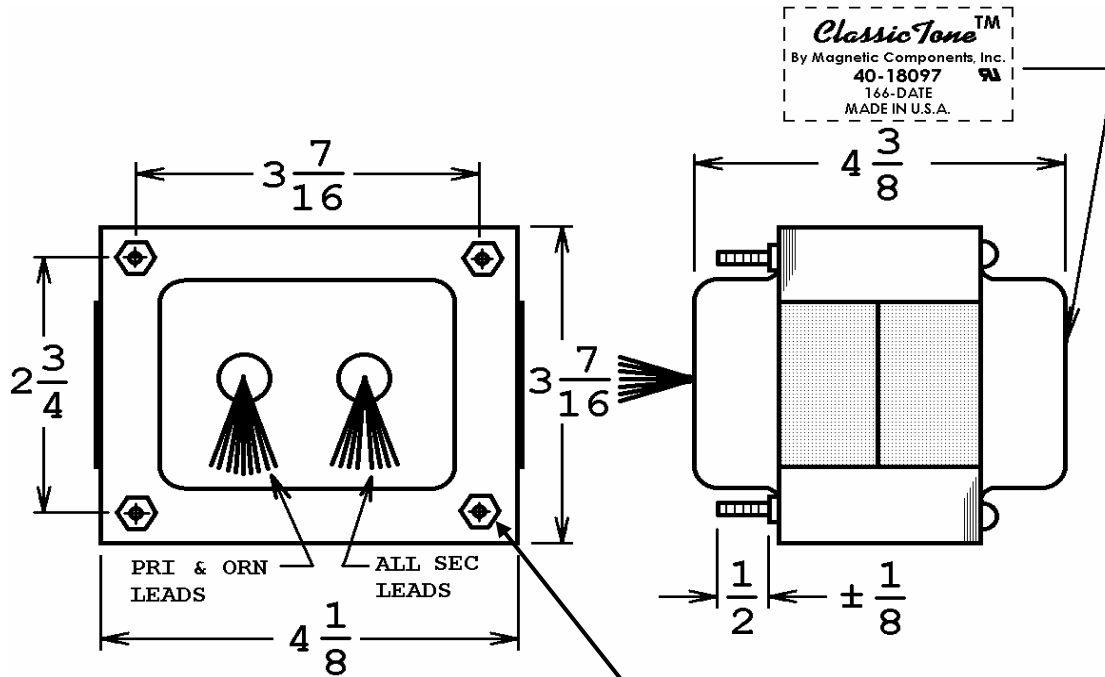


This drawing is the property of Magnetic Components, Inc. and shall not be reproduced, in whole or in part, without the written permission of Magnetic Components, Inc.

REVISIONS			
LTR	DESCRIPTION	DATE	APPROVED



USE FOUR # 8-32 HEX NUTS (NOT SUPPLIED) FOR CHASSIS MOUNTING. PLEASE DO NOT REMOVE EXISTING HEX NUTS.

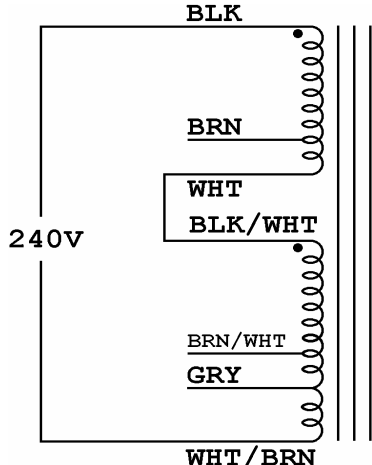
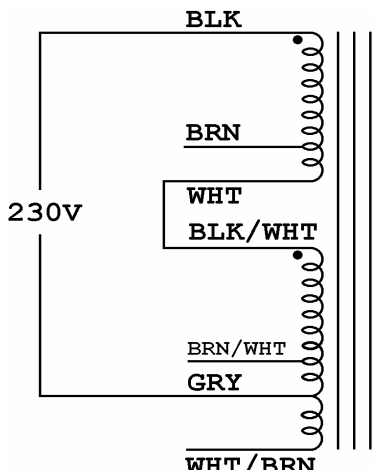
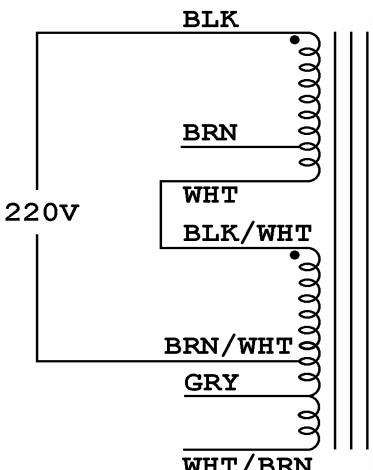
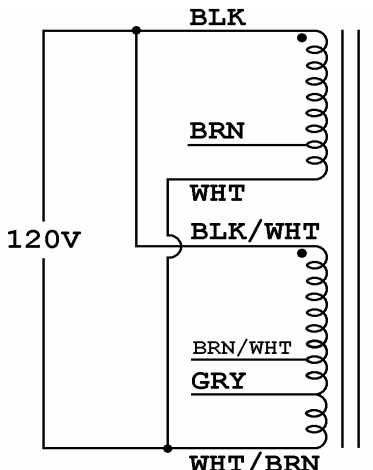
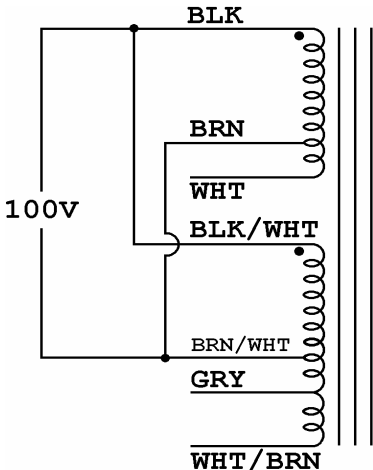
NOTE : GRN/YEL LEAD IS INTERNALLY GROUNDED

SEE SHEET 2 FOR PRIMARY CONNECTIONS

UNLESS OTHERWISE SPECIFIED ALL DIMENSIONS IN INCHES DO NOT SCALE DRAWING	SIGNATURES		DATE		MAGNETIC COMPONENTS, INC.		DIV :	
	DRAWN : <i>[Signature]</i>		13 DEC 2012		TITLE		LOC : SCHILLER PK	
	CHECK :				POWER TRANSFORMER			
	APPR : <i>[Signature]</i>		13 DEC 2012					
FRACTIONS +/-		CAGE	50508	SIZE	PART No.		REV	
.X = +/-		SCALE	NONE	A	40-18097		-	
.XX = +/-					SHEET : 1 OF 2			
.XXX = +/-								
ANGLES = +/-								

This drawing is the property of Magnetic Components, Inc. and shall not be reproduced, in whole or in part, without the written permission of Magnetic Components, Inc.

REVISIONS			
LTR	DESCRIPTION	DATE	APPROVED



UNLESS OTHERWISE SPECIFIED ALL DIMENSIONS IN INCHES DO NOT SCALE DRAWING FRACTIONS +/- .X = +/- .XX = +/- .XXX = +/- ANGLES = +/-	SIGNATURES		DATE	MAGNETIC COMPONENTS, INC.		DIV : LOC : SCHILLER PK	
	DRAWN : <i>Mel</i>		13 DEC 2012	TITLE PRIMARY WIRING DIAGRAMS			
	CHECK :						
	APPR : <i>Melachetti</i>		13 DEC 2012	CAGE 50508	SIZE A	PART No. 40-18097	
			SCALE NONE	SHEET : 2 OF 2			