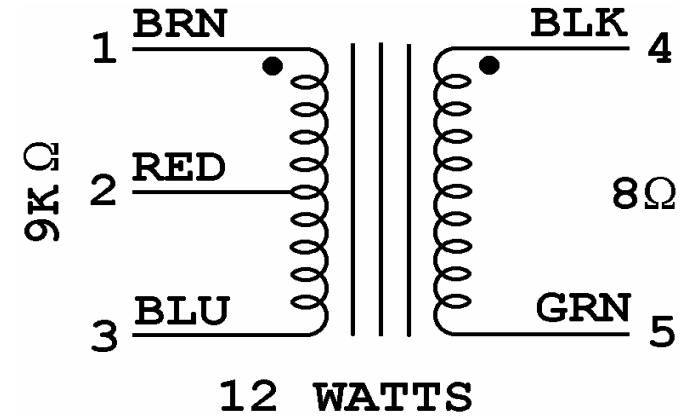
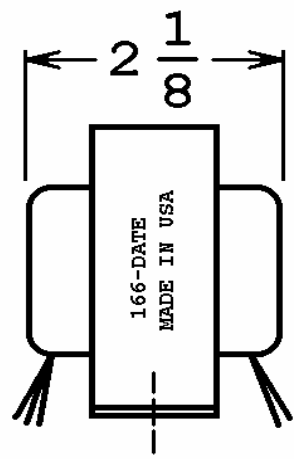
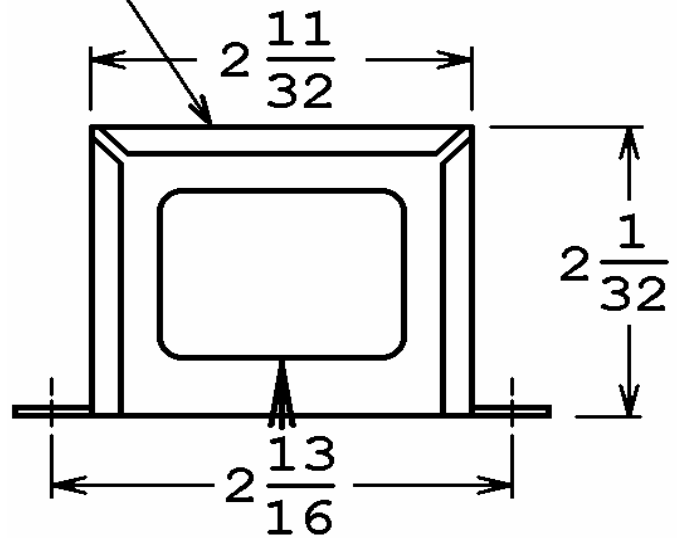


40-18101

This drawing is the property of Magnetic Components, Inc. and shall not be reproduced, in whole or in part, without the written permission of Magnetic Components, Inc.

REVISIONS			
LTR	DESCRIPTION	DATE	APPROVED

**Classic Tone™**  
By Magnetic Components, Inc.  
40-18101



UNLESS OTHERWISE SPECIFIED ALL DIMENSIONS IN INCHES DO NOT SCALE DRAWING FRACTIONS +/- .X = +/- .XX = +/- .XXX = +/- ANGLES = +/-	SIGNATURES		DATE	MAGNETIC COMPONENTS, INC.		DIV : LOC : SCHILLER PK		
	DRAWN : <i>[Signature]</i>		08 NOV 13	TITLE <b>MUSICMASTER BASS OUTPUT</b>				
	CHECK :			CAGE	50508	SIZE	PART No.	REV
	APPR : <i>[Signature]</i>		08 NOV 13	SCALE	NONE	<b>A</b>	<b>40-18101</b>	-
						SHEET :		

FENDER 026839