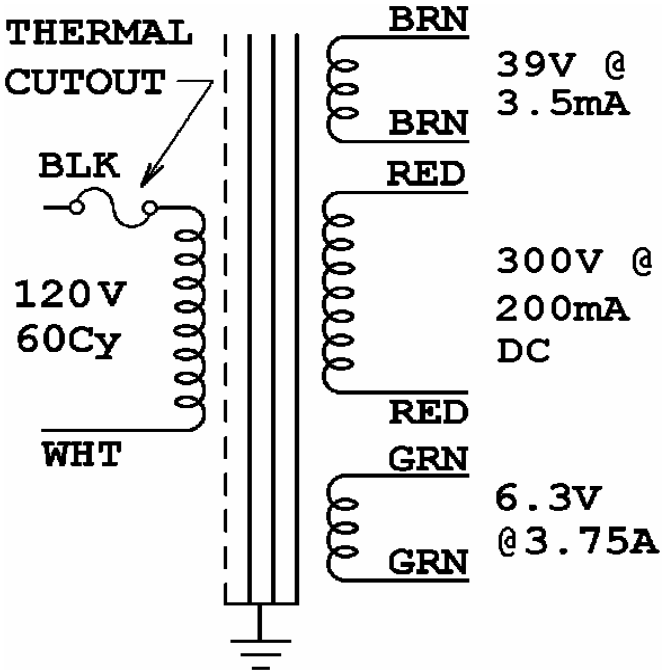
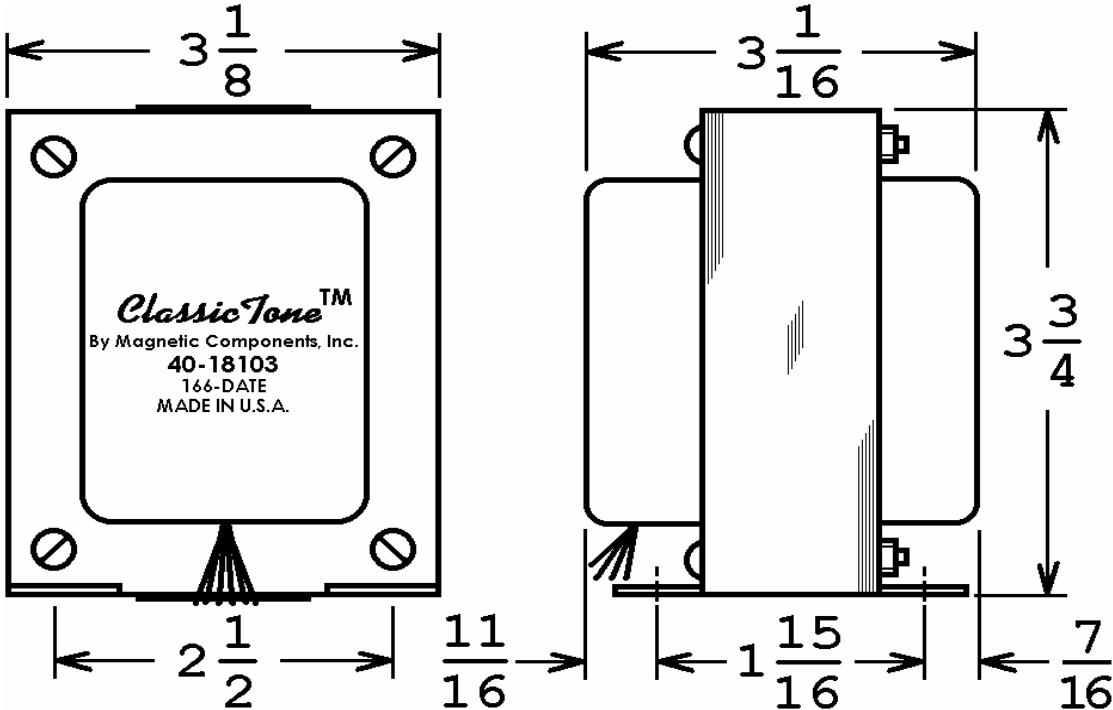


This drawing is the property of Magnetic Components, Inc. and shall not be reproduced, in whole or in part, without the written permission of Magnetic Components, Inc.

REVISIONS			
LTR	DESCRIPTION	DATE	APPROVED
A	REVISE SECONDARY RATINGS	10/22/14	M. Sacketti



UNLESS OTHERWISE SPECIFIED ALL DIMENSIONS IN INCHES DO NOT SCALE DRAWING FRACTIONS +/- .X = +/- .XX = +/- .XXX = +/- ANGLES = +/-	SIGNATURES		DATE	MAGNETIC COMPONENTS, INC.		DIV : LOC : SCHILLER PK	
	DRAWN : <i>M.S.</i>		23 MAY 2014	TITLE POWER TRANSFORMER			
	CHECK :						
	APPR : <i>M. Sacketti</i>		23 MAY 2014	CAGE	50508	SIZE	PART No.
			SCALE	NONE	A	40-18103	A
						SHEET :	