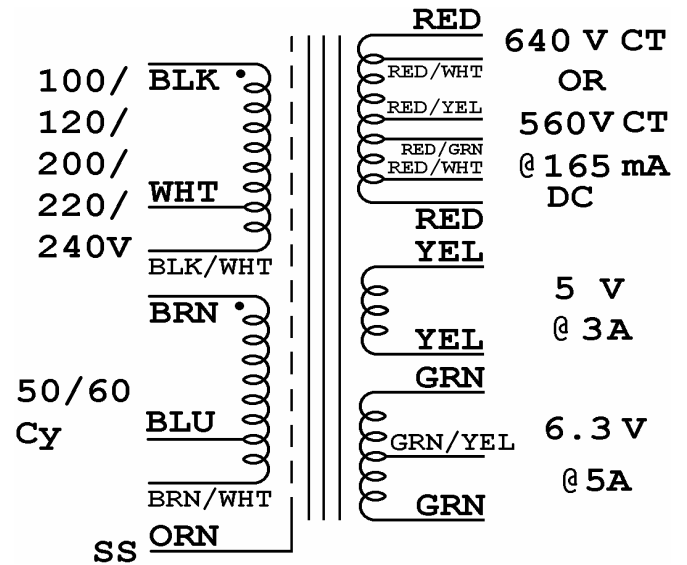
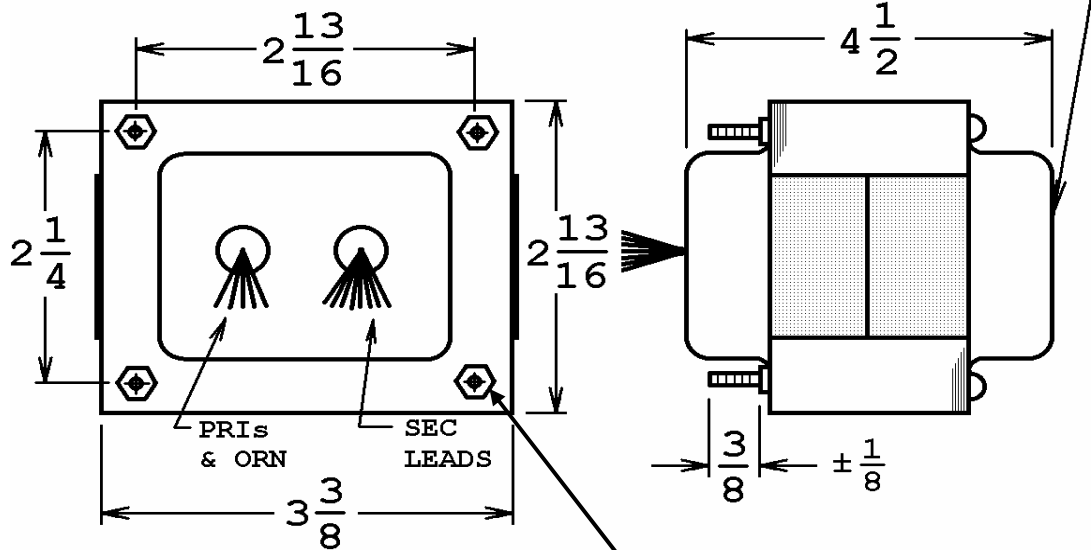


This drawing is the property of Magnetic Components, Inc. and shall not be reproduced, in whole or in part, without the written permission of Magnetic Components, Inc.

REVISIONS			
LTR	DESCRIPTION	DATE	APPROVED
A	ADD ORN LEAD CONNECTION NOTE	02/06/18	M. SACKETT



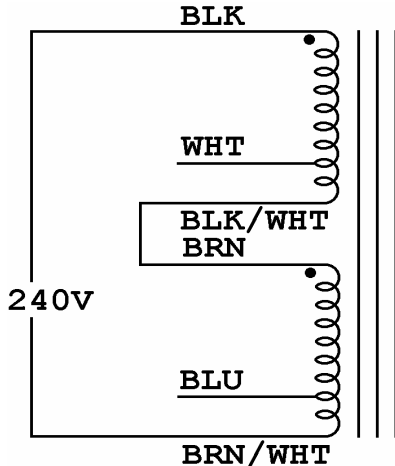
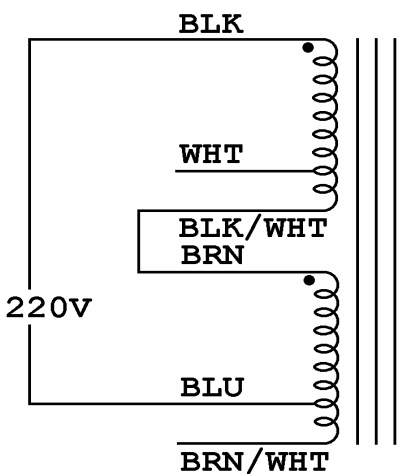
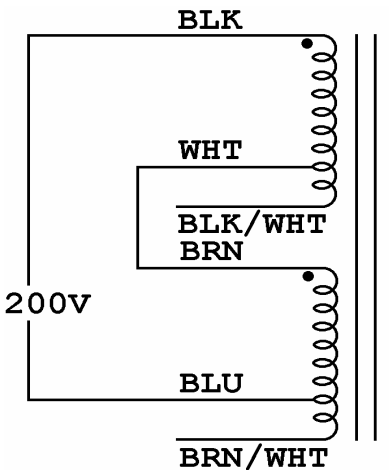
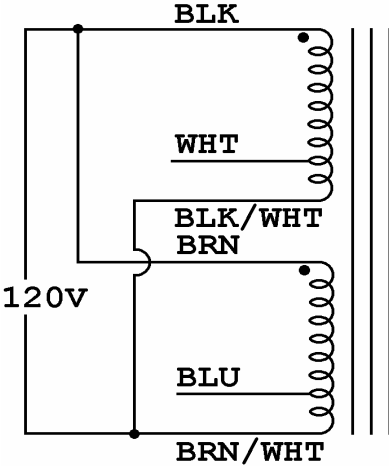
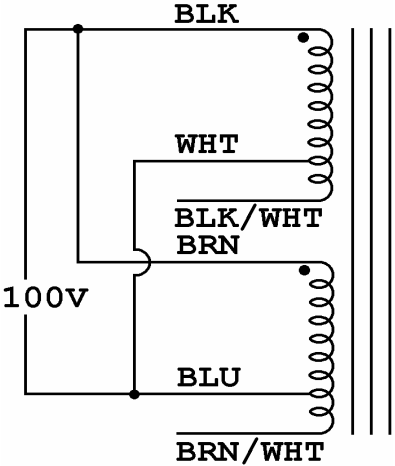
USE FOUR # 8-32 HEX NUTS (NOT SUPPLIED) FOR CHASSIS MOUNTING. PLEASE DO NOT REMOVE EXISTING HEX NUTS.

RED/YEL IS HV CENTER TAP. RED/GRN IS 50V BIAS TAP. CONNECT ORN SS LEAD TO CHASSIS GROUND. SEE SHEET 2 FOR PRIMARY CONNECTIONS

UNLESS OTHERWISE SPECIFIED		SIGNATURES		DATE		MAGNETIC COMPONENTS, INC.		DIV :		
ALL DIMENSIONS IN INCHES DO NOT SCALE DRAWING		DRAWN : <i>M. Sackett</i>		08 JUN 2015		TITLE		LOC : SCHILLER PK		
FRACTIONS +/-		CHECK :				POWER TRANSFORMER				
.X = +/-		APPR : <i>M. Sackett</i>		08 JUN 2015		CAGE	50508	SIZE	PART No.	REV
.XX = +/-						SCALE		A	40-18107	A
.XXX = +/-						NONE				
ANGLES = +/-								SHEET :		

This drawing is the property of Magnetic Components, Inc. and shall not be reproduced, in whole or in part, without the written permission of Magnetic Components, Inc.

REVISIONS			
LTR	DESCRIPTION	DATE	APPROVED



UNLESS OTHERWISE SPECIFIED ALL DIMENSIONS IN INCHES DO NOT SCALE DRAWING FRACTIONS +/- .X = +/- .XX = +/- .XXX = +/- ANGLES = +/-	SIGNATURES		DATE	MAGNETIC COMPONENTS, INC.		DIV : LOC : SCHILLER PK	
	DRAWN : <i>[Signature]</i>		08 JUN 2015	TITLE PRIMARY WIRING DIAGRAMS			
	CHECK :						
	APPR : <i>[Signature]</i>		08 JUN 2015	CAGE 50508	SIZE <b>A</b>	PART No. <b>40-18107</b>	REV <b>A</b>
			SCALE NONE	SHEET : 2 OF 2			