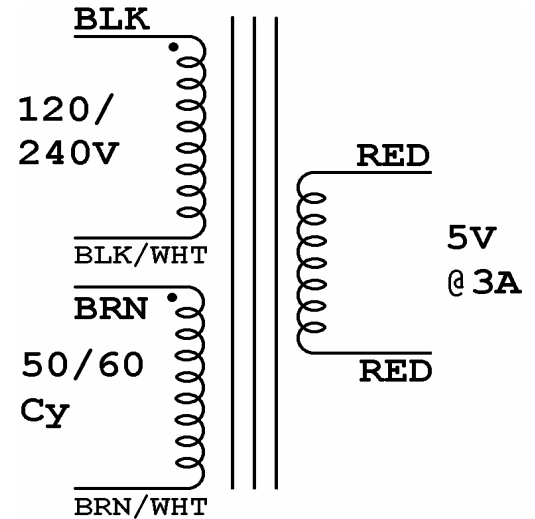
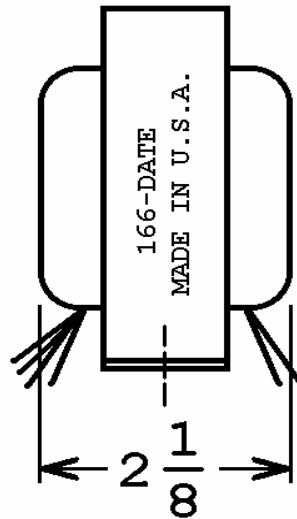
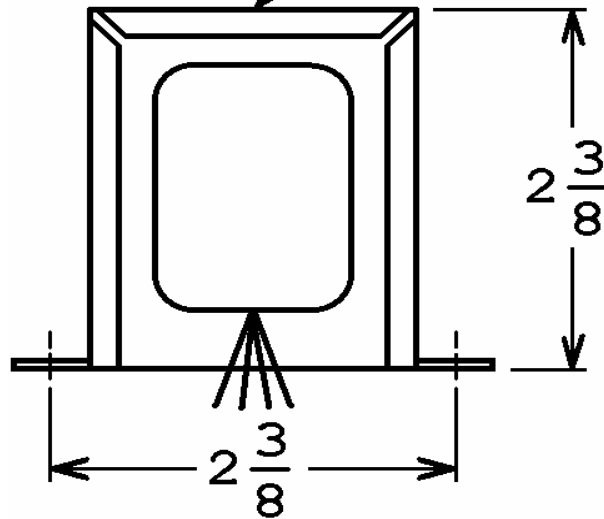


This drawing is the property of Magnetic Components, Inc. and shall not be reproduced, in whole or in part, without the written permission of Magnetic Components, Inc.

REVISIONS			
LTR	DESCRIPTION	DATE	APPROVED
A	ADD PRIMARY CONNECTIONS	07/16/15	M. Sacketti



120V: INPUT TO BLK AND BLK/WHT (CONNECT BLK TO BRN AND BLK/WHT TO BRN/WHT)
240V: INPUT TO BLK AND BRN/WHT (CONNECT BLK/WHT TO BRN)

SUITABLE FOR USE WITH ANY 5V RECTIFIER TUBE WITH FILAMENT/HEATER UP TO 3A SUCH AS : 5AR4/GZ34, 5Y3GT & 5U4GB

UNLESS OTHERWISE SPECIFIED		SIGNATURES		DATE		MAGNETIC COMPONENTS, INC.		DIV :		
ALL DIMENSIONS IN INCHES DO NOT SCALE DRAWING		DRAWN : <i>M. Sacketti</i>		11 JUN 2015		TITLE		LOC : SCHILLER PK		
FRACTIONS +/-		CHECK :				5V RECTIFIER TRANSFORMER				
.X = +/-		APPR : <i>M. Sacketti</i>		11 JUN 2015		CAGE	50508	SIZE	PART No.	REV
.XX = +/-						SCALE		A	40-18108	A
.XXX = +/-						NONE				
ANGLES = +/-								SHEET :		