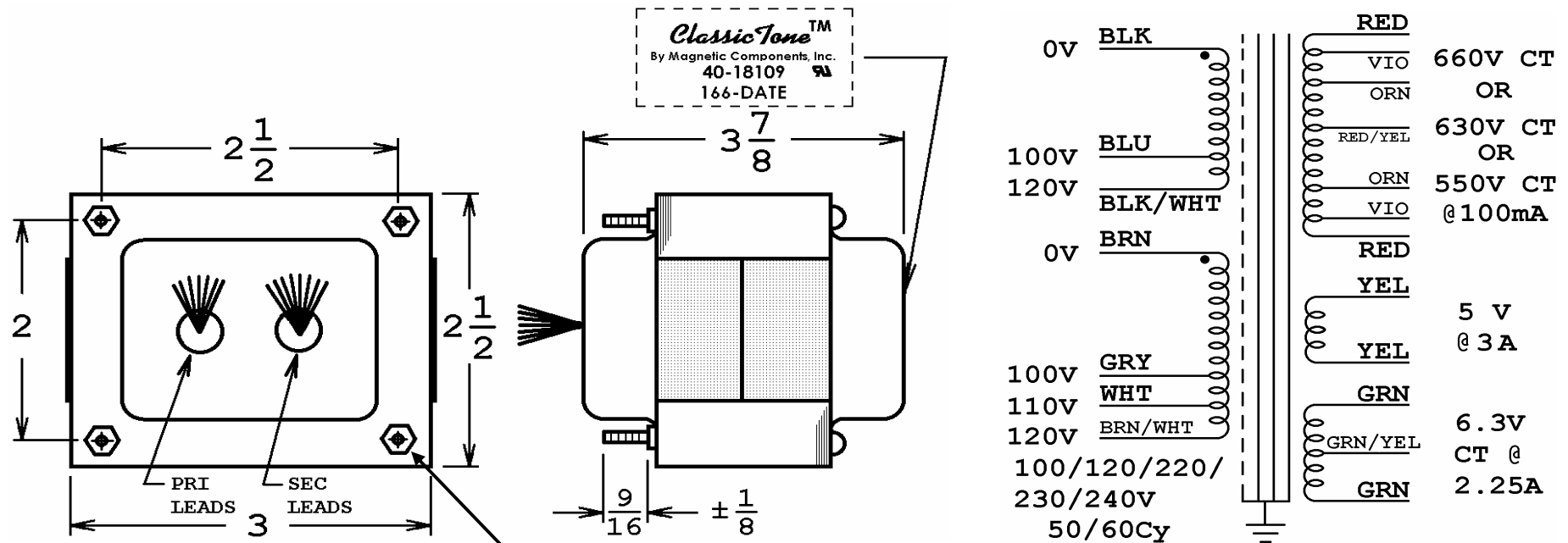


This drawing is the property of Magnetic Components, Inc. and shall not be reproduced, in whole or in part, without the written permission of Magnetic Components, Inc.

REVISIONS			
LTR	DESCRIPTION	DATE	APPROVED
A	6.3V WAS @ 2A	09/27/16	M. Sacketti



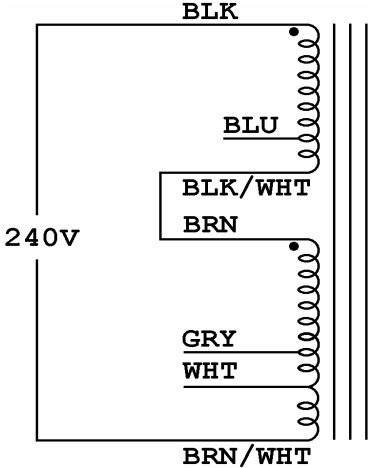
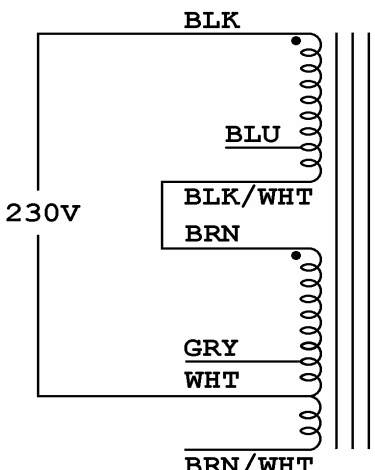
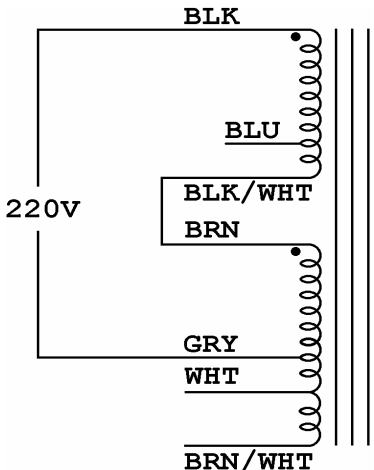
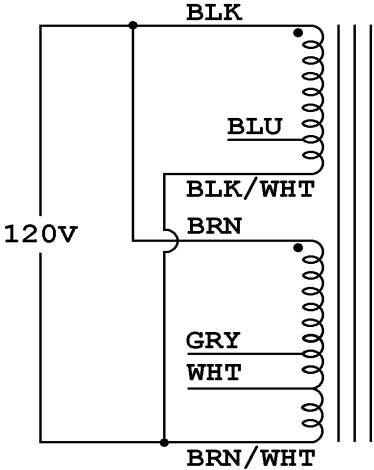
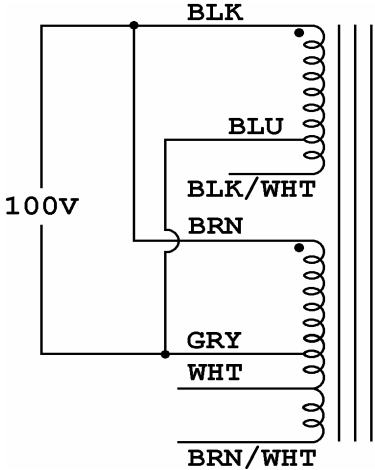
USE FOUR # 8-32 HEX NUTS (NOT SUPPLIED) FOR CHASSIS MOUNTING. PLEASE DO NOT REMOVE EXISTING HEX NUTS.

**SEE SHEET 2 FOR PRIMARY CONNECTIONS**

UNLESS OTHERWISE SPECIFIED ALL DIMENSIONS IN INCHES DO NOT SCALE DRAWING FRACTIONS +/- .X = +/- .XX = +/- .XXX = +/- ANGLES = +/-	SIGNATURES		DATE	MAGNETIC COMPONENTS, INC.	DIV : LOC : SCHILLER PK		
	DRAWN : <i>M. Sacketti</i>		25 FEB 2016	TITLE POWER TRANSFORMER			
	CHECK :			CAGE	SIZE	PART No.	REV
	APPR : <i>M. Sacketti</i>		25 FEB 2016	50508	A	40-18109	A
			SCALE	SHEET :		1 OF 2	
				NONE			

This drawing is the property of Magnetic Components, Inc. and shall not be reproduced, in whole or in part, without the written permission of Magnetic Components, Inc.

REVISIONS			
LTR	DESCRIPTION	DATE	APPROVED



ALL INPUT VOLTAGES 50/60Cy

UNLESS OTHERWISE SPECIFIED ALL DIMENSIONS IN INCHES DO NOT SCALE DRAWING FRACTIONS +/- .X = +/- .XX = +/- .XXX = +/- ANGLES = +/-	SIGNATURES		DATE	MAGNETIC COMPONENTS, INC.	DIV : LOC : SCHILLER PK		
	DRAWN : <i>Muf</i>		25 FEB 2016	TITLE			
	CHECK :			PRIMARY WIRING DIAGRAMS			
	APPR : <i>M. Lachetta</i>		25 FEB 2016	CAGE 50508	SIZE A	PART No. 40-18109	REV A
				SCALE NONE			SHEET : 2 OF 2