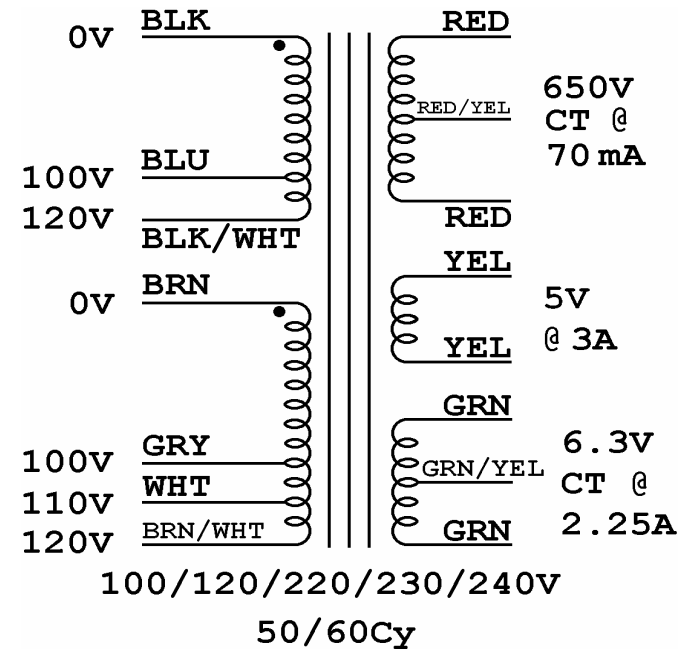
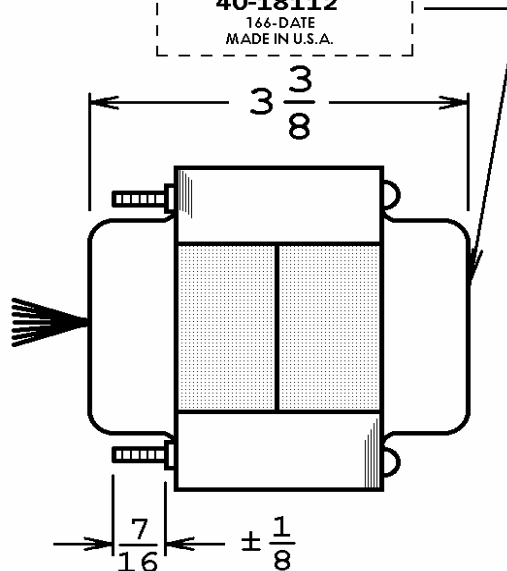
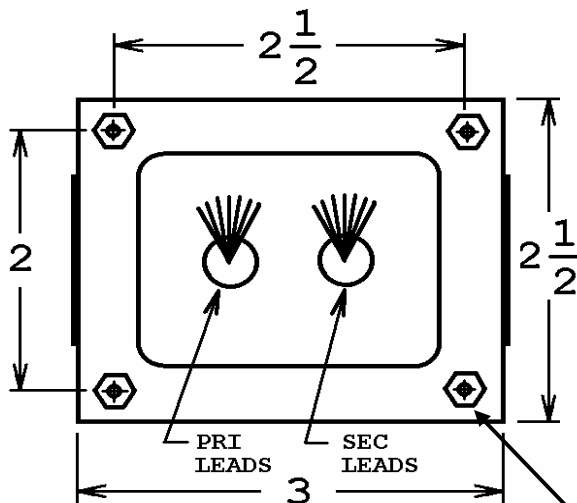


This drawing is the property of Magnetic Components, Inc. and shall not be reproduced, in whole or in part, without the written permission of Magnetic Components, Inc.

REVISIONS			
LTR	DESCRIPTION	DATE	APPROVED
A	6.3V WAS @ 2A	09/27/16	M. Sacketti



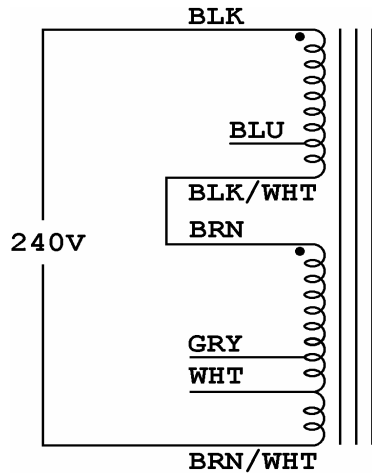
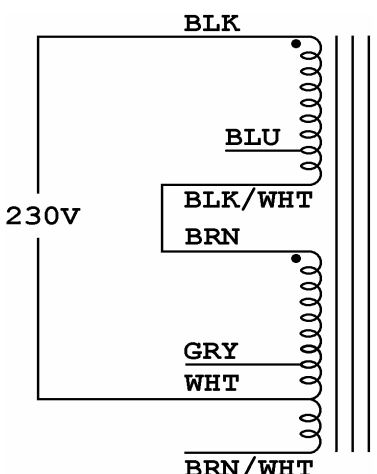
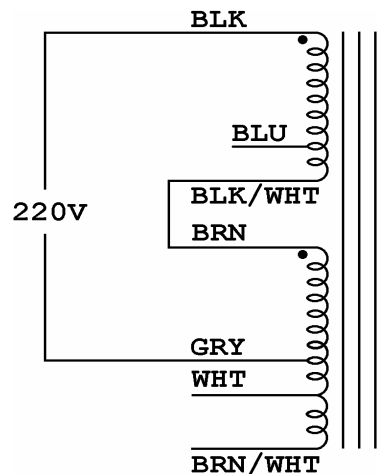
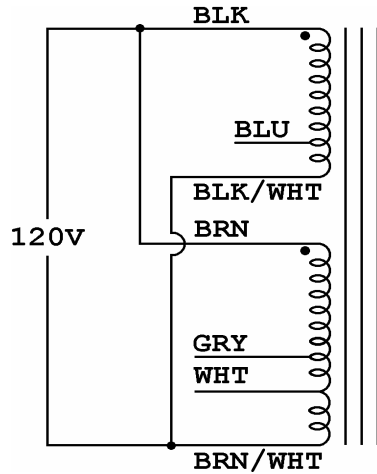
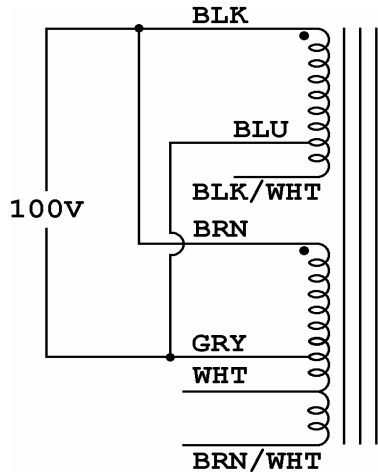
USE FOUR # 8-32 HEX NUTS (NOT SUPPLIED) FOR CHASSIS MOUNTING. PLEASE DO NOT REMOVE EXISTING HEX NUTS.

SEE SHEET 2 FOR PRIMARY CONNECTIONS

UNLESS OTHERWISE SPECIFIED ALL DIMENSIONS IN INCHES DO NOT SCALE DRAWING FRACTIONS +/- .X = +/- .XX = +/- .XXX = +/- ANGLES = +/-	SIGNATURES		DATE	MAGNETIC COMPONENTS, INC.	DIV : LOC : SCHILLER PK		
	DRAWN : <i>M. Sacketti</i>		02 MAR 2016	TITLE POWER TRANSFORMER			
	CHECK :						
	APPR : <i>M. Sacketti</i>		02 MAR 2016	CAGE 50508	SIZE A	PART No. 40-18112	REV A
				SCALE NONE			SHEET : 1 OF 2

This drawing is the property of Magnetic Components, Inc. and shall not be reproduced, in whole or in part, without the written permission of Magnetic Components, Inc.

REVISIONS			
LTR	DESCRIPTION	DATE	APPROVED



ALL INPUT VOLTAGES 50/60Cy

UNLESS OTHERWISE SPECIFIED ALL DIMENSIONS IN INCHES DO NOT SCALE DRAWING FRACTIONS +/- .X = +/- .XX = +/- .XXX = +/- ANGLES = +/-	SIGNATURES		DATE	MAGNETIC COMPONENTS, INC.	DIV :	
	DRAWN : <i>Muf</i>		02 MAR 2016	TITLE	LOC : SCHILLER PK	
	CHECK :			PRIMARY WIRING DIAGRAMS		
	APPR : <i>M. Lachetta</i>		02 MAR 2016	CAGE 50508	SIZE PART No.	REV
				SCALE NONE	A 40-18112	A
				SHEET : 2 OF 2		