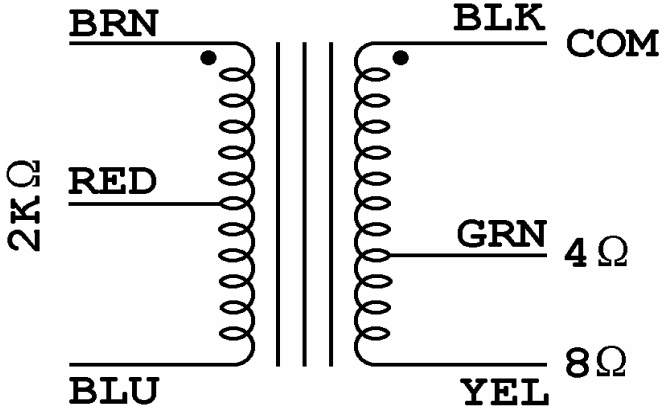
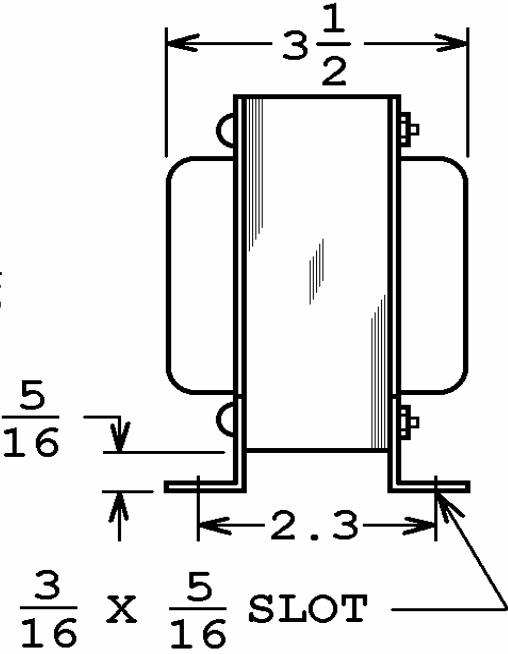
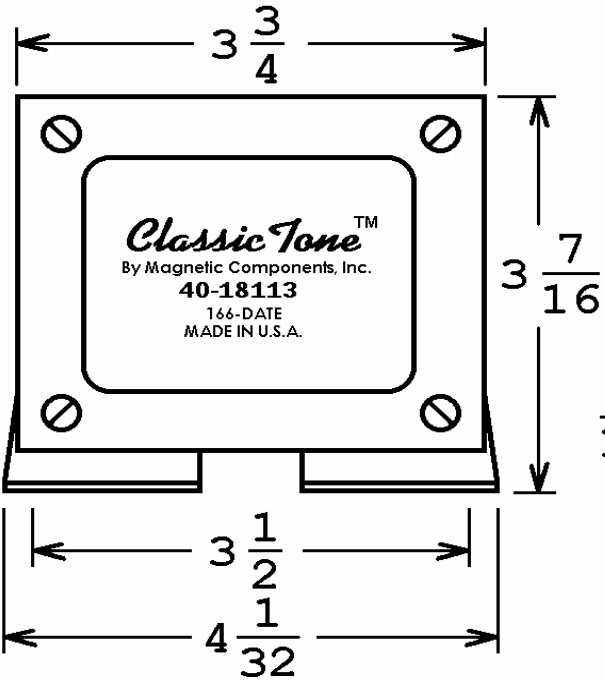


40-18113

This drawing is the property of Magnetic Components, Inc. and shall not be reproduced, in whole or in part, without the written permission of Magnetic Components, Inc.

REVISIONS			
LTR	DESCRIPTION	DATE	APPROVED



UNLESS OTHERWISE SPECIFIED ALL DIMENSIONS IN INCHES DO NOT SCALE DRAWING FRACTIONS +/- .X = +/- .XX = +/- .XXX = +/- ANGLES = +/-	SIGNATURES		DATE	MAGNETIC COMPONENTS, INC.	DIV : LOC : SCHILLER PK	
	DRAWN : <i>MJF</i>		08 JUL 2016	TITLE 100W OUTPUT		
	CHECK :			CAGE 50508	SIZE PART No.	REV
	APPR : <i>M. Schiller</i>		08 JUL 2016	SCALE NONE	A 40-18113	-
				SHEET :		