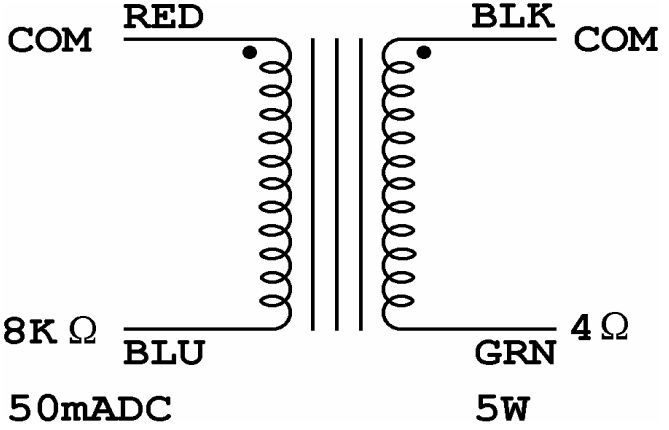
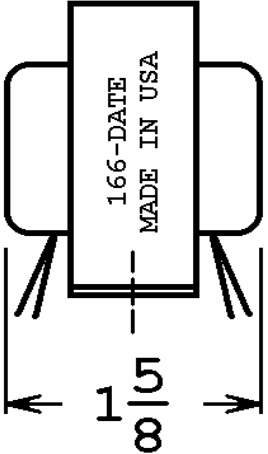
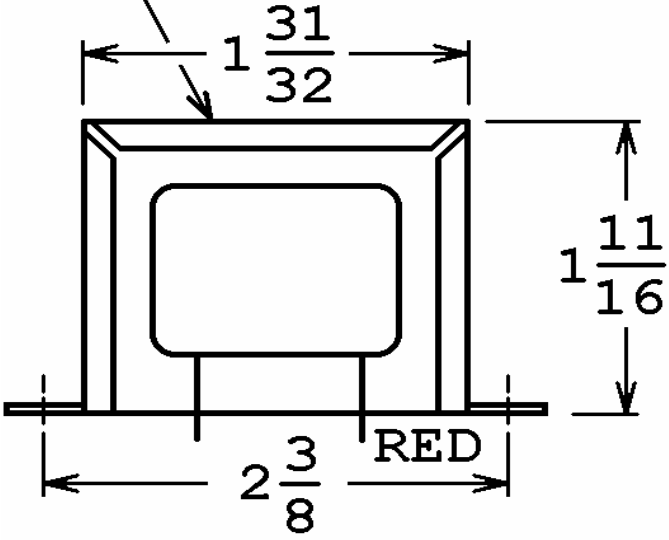


This drawing is the property of Magnetic Components, Inc. and shall not be reproduced, in whole or in part, without the written permission of Magnetic Components, Inc.

REVISIONS			
LTR	DESCRIPTION	DATE	APPROVED

*Classic Tone*TM
By Magnetic Components, Inc.
40-18115



UNLESS OTHERWISE SPECIFIED ALL DIMENSIONS IN INCHES DO NOT SCALE DRAWING FRACTIONS +/- .X = +/- .XX = +/- .XXX = +/- ANGLES = +/-	SIGNATURES		DATE	MAGNETIC COMPONENTS, INC.		DIV : LOC : SCHILLER PK	
	DRAWN : <i>[Signature]</i>		20 MAR 2017	TITLE			
	CHECK :			5W SINGLE-ENDED OUTPUT			
	APPR : <i>[Signature]</i>		20 MAR 2017	CAGE	50508	SIZE	PART No.
			SCALE	NONE	A	40-18115	-
						SHEET :	