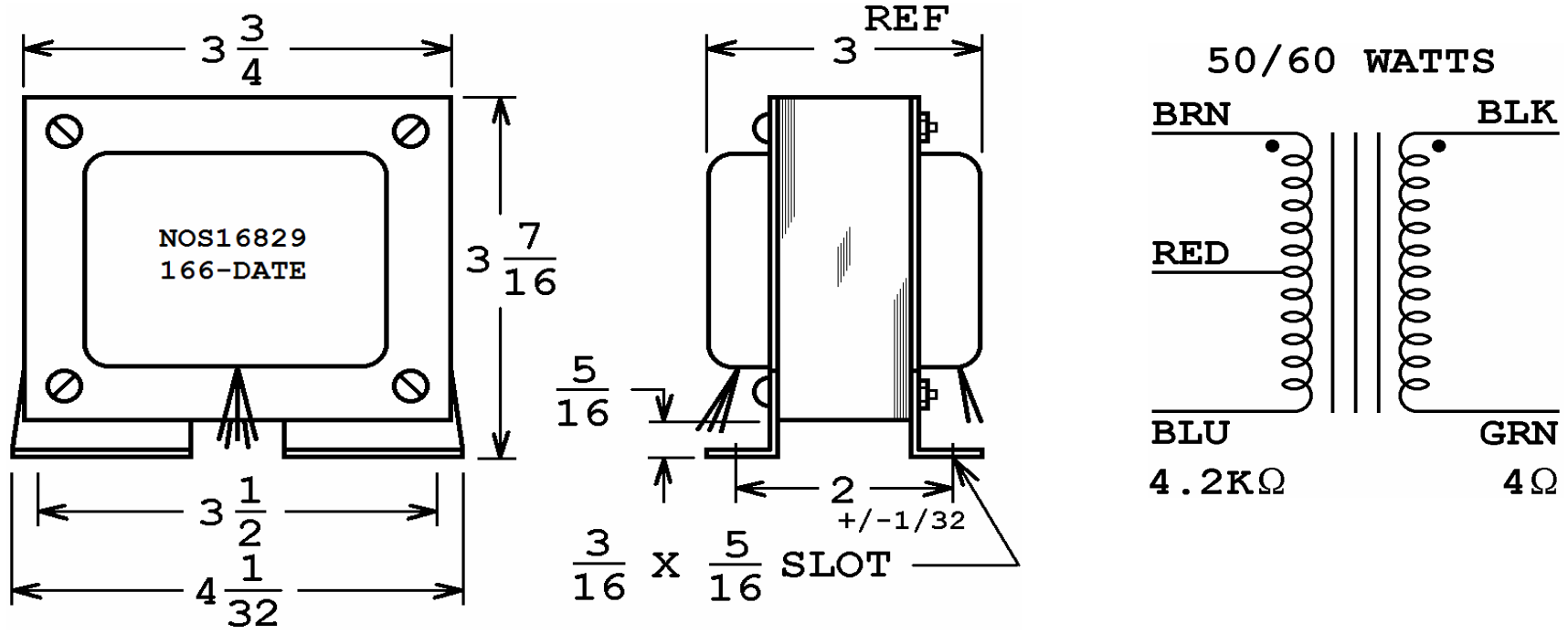


OOA-85942

This drawing is the property of Magnetic Components, Inc. and shall not be reproduced, in whole or in part, without the written permission of Magnetic Components, Inc.

REVISIONS		DWG#	OOA-85942
LTR	DESCRIPTION	DATE	APPROVED



PRI LEADS = 8" L. SEC LEADS = 5"L

USED ON :	NOS16829
DIV :	LOC : SCHILLER PK

UNLESS OTHERWISE SPECIFIED		SIGNATURES		DATE		MAGNETIC COMPONENTS, INC.		TITLE	
ALL DIMENSIONS IN INCHES DO NOT SCALE DRAWING		DRAWN : <i>[Signature]</i>		26 MAR 2018		CAGE 50508		DRAWING No. OOA-85942	
CHECK :		APPR : <i>[Signature]</i>		26 MAR 2018		SCALE NONE		REV -	
FRACTIONS +/-		.X = +/-		.XX = +/-		.XXX = +/-		ANGLES = +/-	
OUTLINE FOR P/N NOS16829		SHEET :							