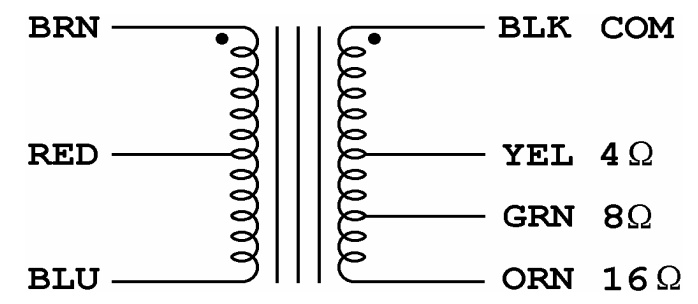
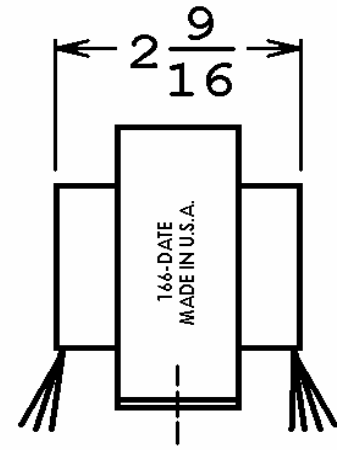
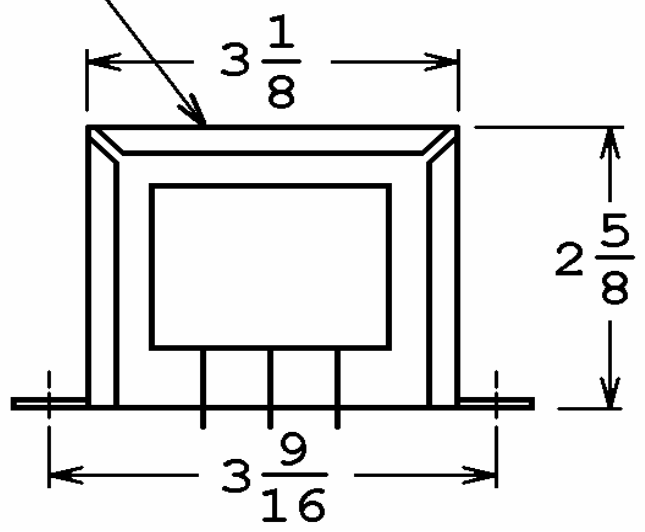


OOA-86045

This drawing is the property of Magnetic Components, Inc. and shall not be reproduced, in whole or in part, without the written permission of Magnetic Components, Inc.

REVISIONS		DWG#	OOA-86045
LTR	DESCRIPTION	DATE	APPROVED

NOS17318
166-DATE
MADE IN U.S.A.



NOTE: ORIGINALLY DESIGNED FOR 3/7/15 OHM LOADS
 PRIMARY IMPEDANCE = 8.5K OHMS WITH 3 OHM LOAD
 PRIMARY IMPEDANCE = 8.2K OHMS WITH 7 OHM LOAD
 PRIMARY IMPEDANCE = 8.0K OHMS WITH 15 OHM LOAD

 WITH 4/8/16 OHM LOADS, PRIMARY IMPEDANCE =
 PRIMARY IMPEDANCE = 10.8K OHMS WITH 4 OHM LOAD
 PRIMARY IMPEDANCE = 9.2K OHMS WITH 8 OHM LOAD
 PRIMARY IMPEDANCE = 8.4K OHMS WITH 16 OHM LOAD

USED ON :
NOS17318
DIV :
LOC : SCHILLER PK

UNLESS OTHERWISE SPECIFIED ALL DIMENSIONS IN INCHES DO NOT SCALE DRAWING FRACTIONS +/- .X = +/- .XX = +/- .XXX = +/- ANGLES = +/-	SIGNATURES		DATE	MAGNETIC COMPONENTS, INC.		TITLE		REV
	DRAWN : <i>[Signature]</i>		11 DEC 2019	OUTLINE FOR P/N NOS17318				
	CHECK :			CAGE 50508		SIZE A	PART No. OOA-86045	-
	APPR : <i>[Signature]</i>		11 DEC 2019	SCALE NONE				
						SHEET :		