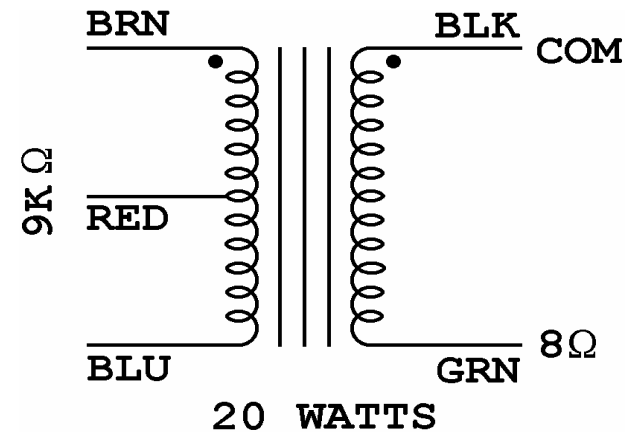
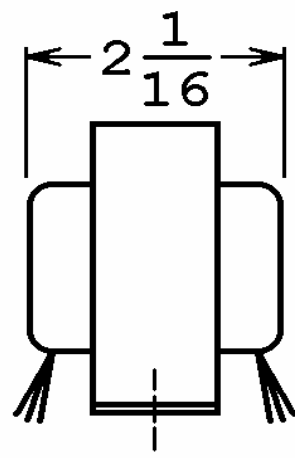
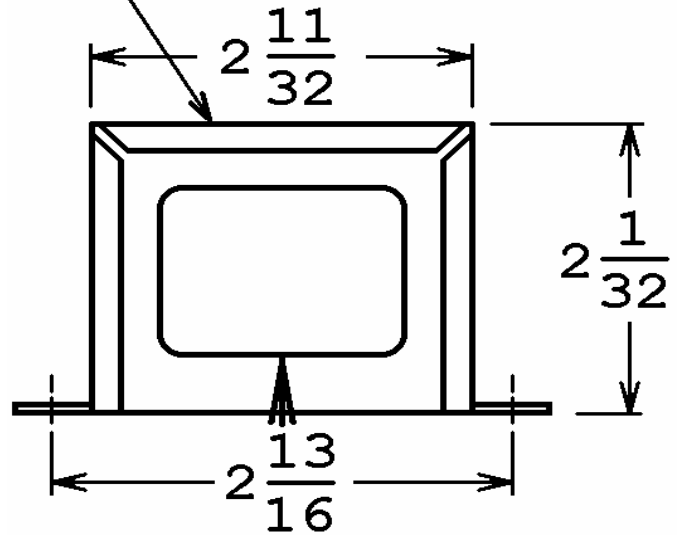


OOA-86046

This drawing is the property of Magnetic Components, Inc. and shall not be reproduced, in whole or in part, without the written permission of Magnetic Components, Inc.

REVISIONS		DWG#	OOA-86046
LTR	DESCRIPTION	DATE	APPROVED

NOS17447
166-DATE
MADE IN U.S.A.



USED ON :
NOS17447
DIV :
LOC : SCHILLER PK

UNLESS OTHERWISE SPECIFIED	
ALL DIMENSIONS IN INCHES DO NOT SCALE DRAWING	
FRACTIONS +/-	
.X = +/-	
.XX = +/-	
.XXX = +/-	
ANGLES = +/-	

SIGNATURES		DATE
DRAWN :	<i>Mef</i>	11 DEC 2019
CHECK :		
APPR :	<i>Molacketa</i>	11 DEC 2019

MAGNETIC COMPONENTS, INC.				TITLE	
				OUTLINE FOR P/N NOS17447	
CAGE	50508	SIZE	DRAWING No.		REV
SCALE	NONE	A	OOA-86046		-
					SHEET :